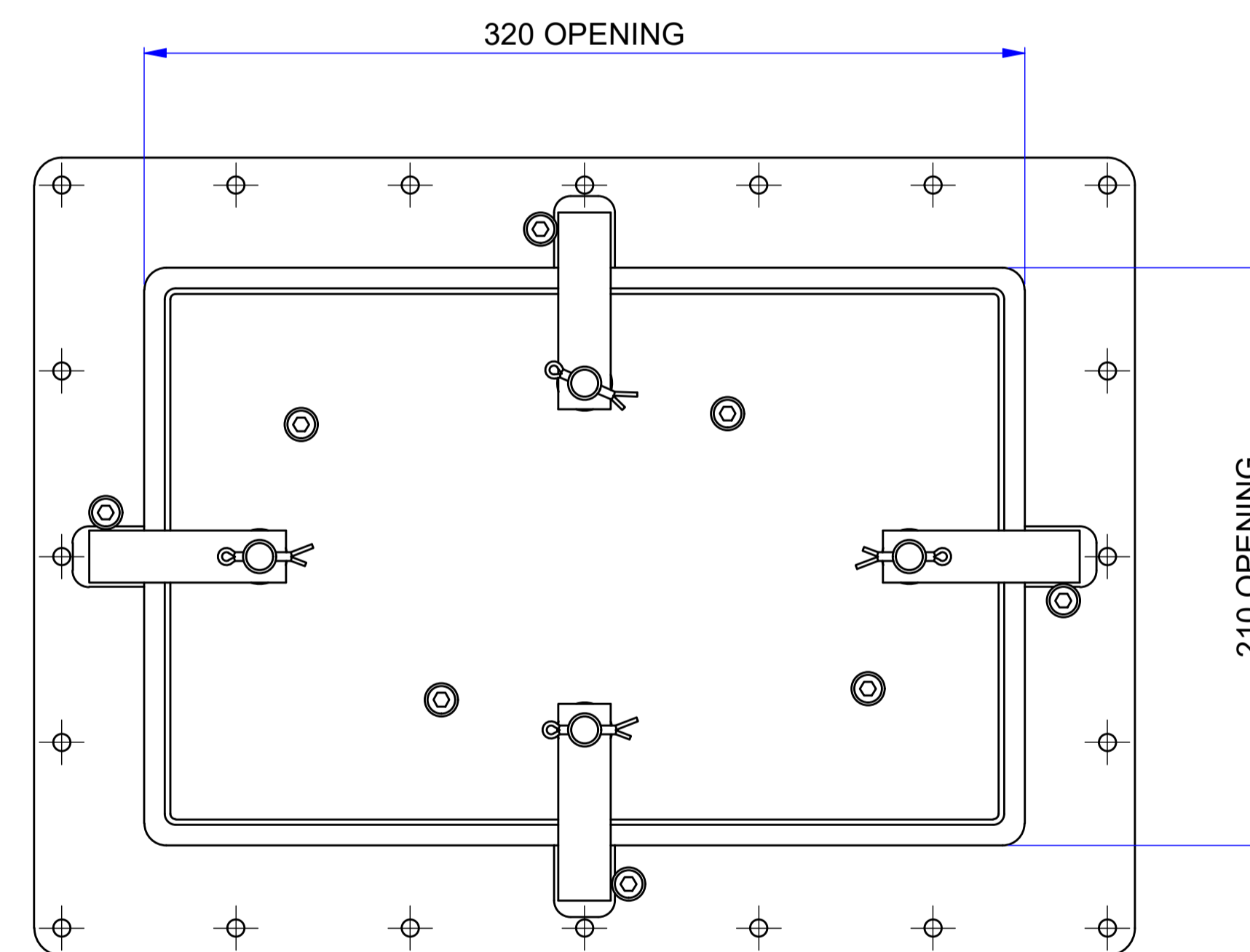
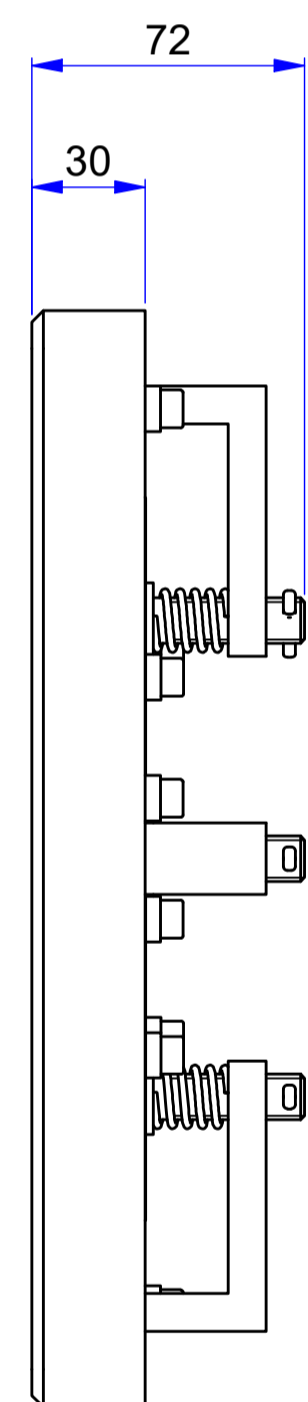
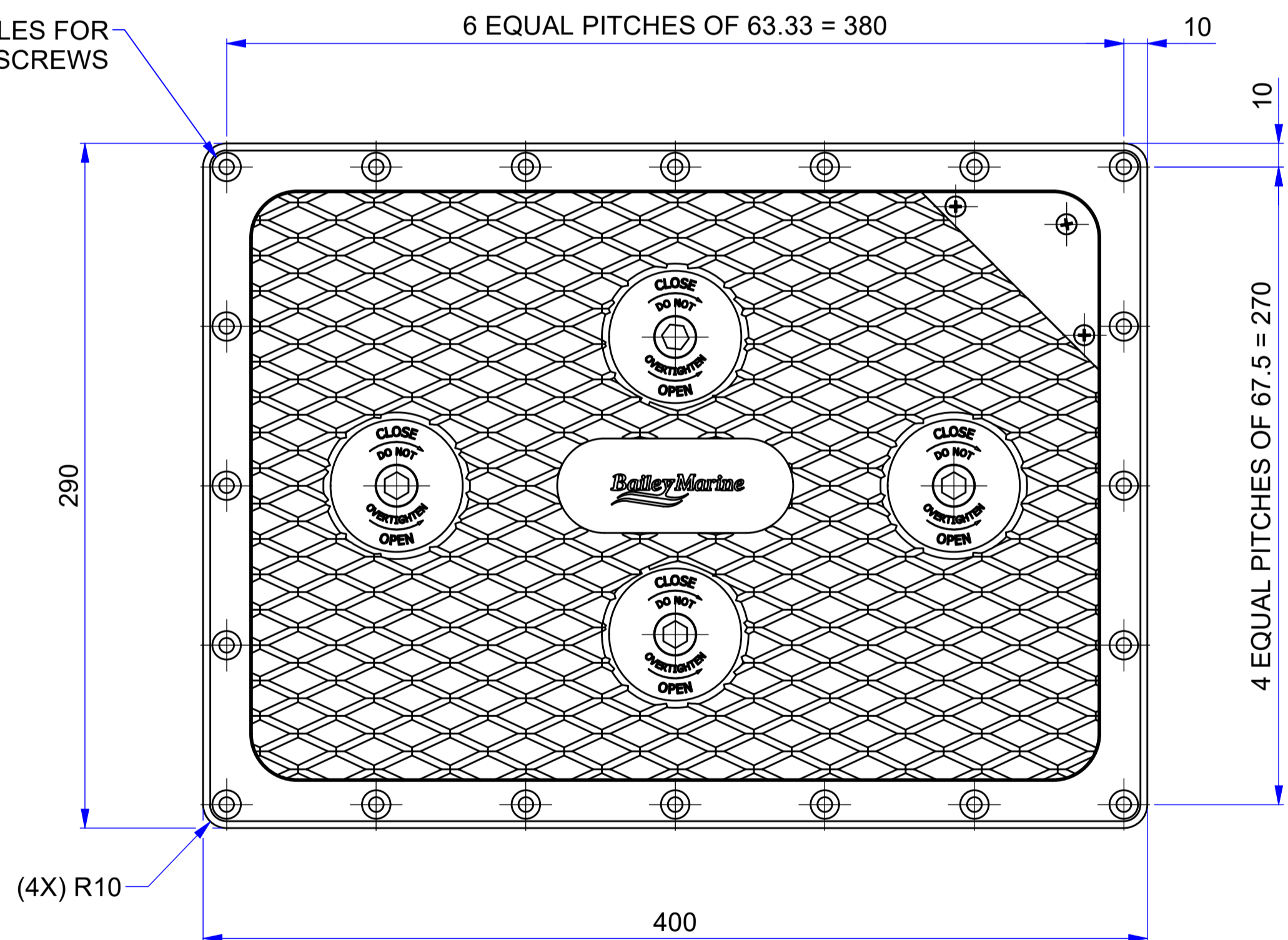


20 HOLES FOR M6 C/SNK SCREWS



**NOTES.**

1. MATERIALS OF CONSTRUCTION:  
DECK PLATE LID & DECK PLATE FRAME: BLACK ACETAL.  
ALL OTHER PARTS (CLAMPS, FIXINGS ETC) STAINLESS STEEL 316.
2. TOTAL ASSEMBLY WEIGHT: 5.36Kg  
DECK PLATE LID: 3.74Kg

THIS DRAWING IS CONFIDENTIAL AND IS THE PROPERTY OF BAILEY MARINE AND MUST NOT BE REPRODUCED EITHER WHOLLY OR PARTLY. ALL RIGHTS IN RESPECT OF PATENTS, DESIGN AND COPYRIGHTS ARE RESERVED. © 2024

DRN PMS	MATERIAL SEE NOTE 1	FINISH CLEAN	TITLE BM100 WATER TIGHT DECK PLATE	REMOVE ALL BURRS AND SHARP EDGES	A1
CHKD	THIRD ANGLE PROJECTION	TOLERANCES UNLESS OTHERWISE STATED: 0 ± 0.25 0.0 ± 0.1 0.00 ± 0.05	SURFACE TEXTURE	PROJECT NUMBER	COMPONENT GROUP DECK PLATE
SCALE 1:2		ANGLE ± 1°	UNLESS STATED DIMENSIONS IN: mm	DRAWING NUMBER BM100_Sales	SHT 1 of 1

2	28.07.20	RE-DRAWN	JEB
ISSUE No	DATE	C.R. No.	CERT