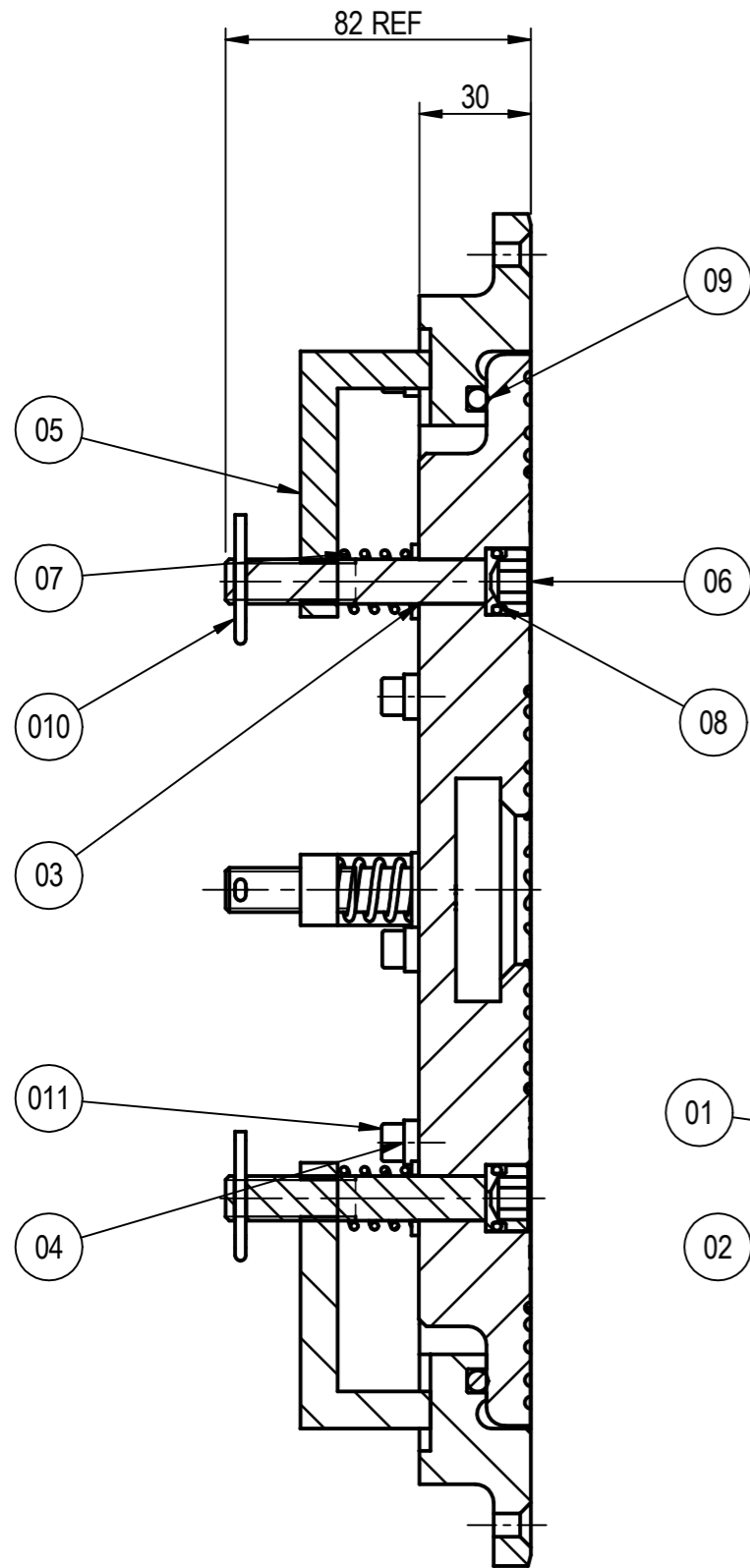


DO NOT SCALE

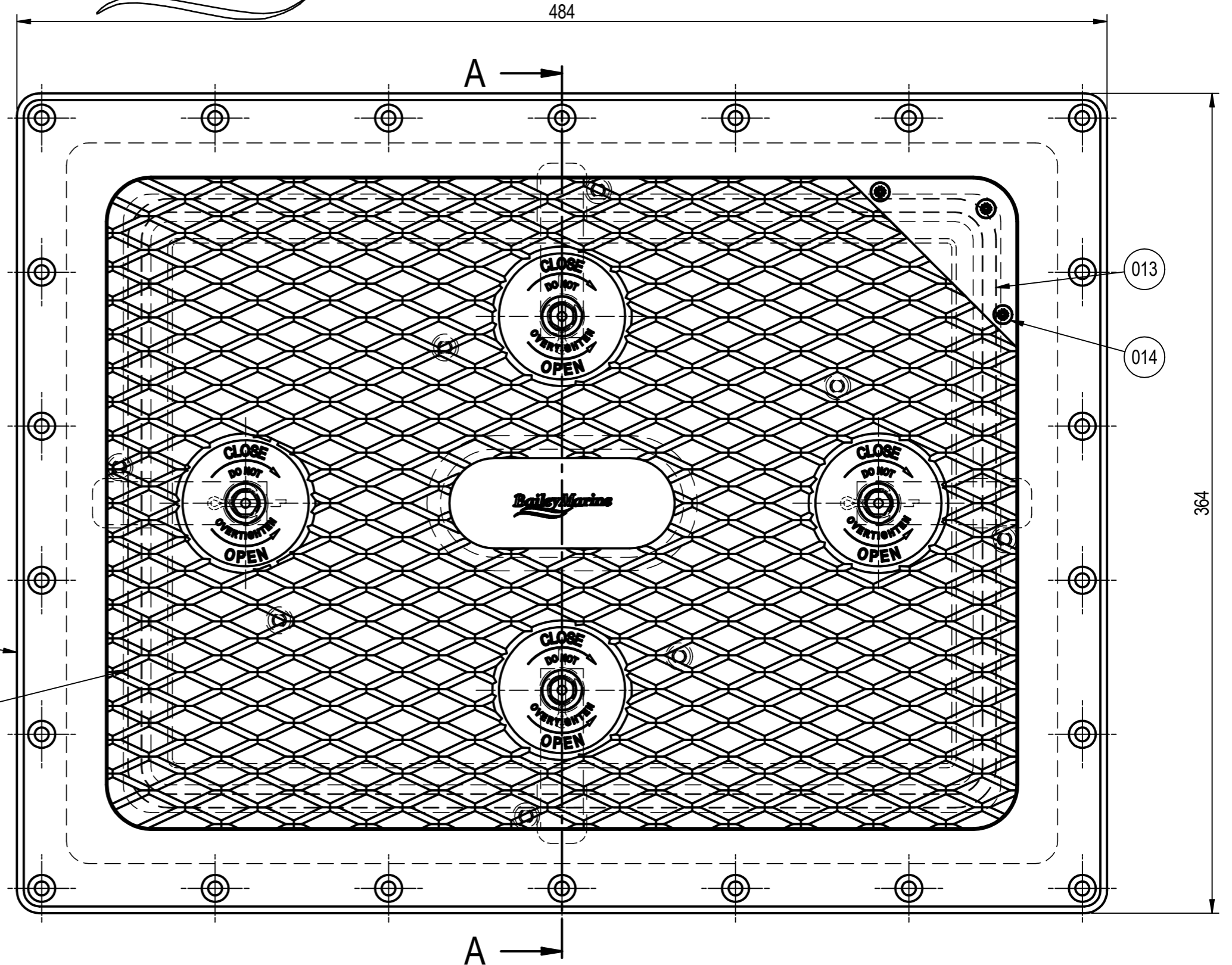
THIRD ANGLE PROJECTION

# Bailey Marine

TOLERANCES ± 0.1 EXCEPT AS SHOWN



**SECTION A-A**  
1:2



- NOTES:  
 1. ITEM 012 TO BE SUPPLIED WITH THIS ASSEMBLY  
 2. FOR ISOMETRIC VIEW SEE SHEET 2.

THIS DRAWING IS CONFIDENTIAL AND IS THE PROPERTY OF BAILEY MARINE AND MUST NOT BE REPRODUCED EITHER WHOLLY OR PARTLY. ALL RIGHTS IN RESPECT OF PATENTS, DESIGN AND COPYRIGHTS ARE RESERVED.

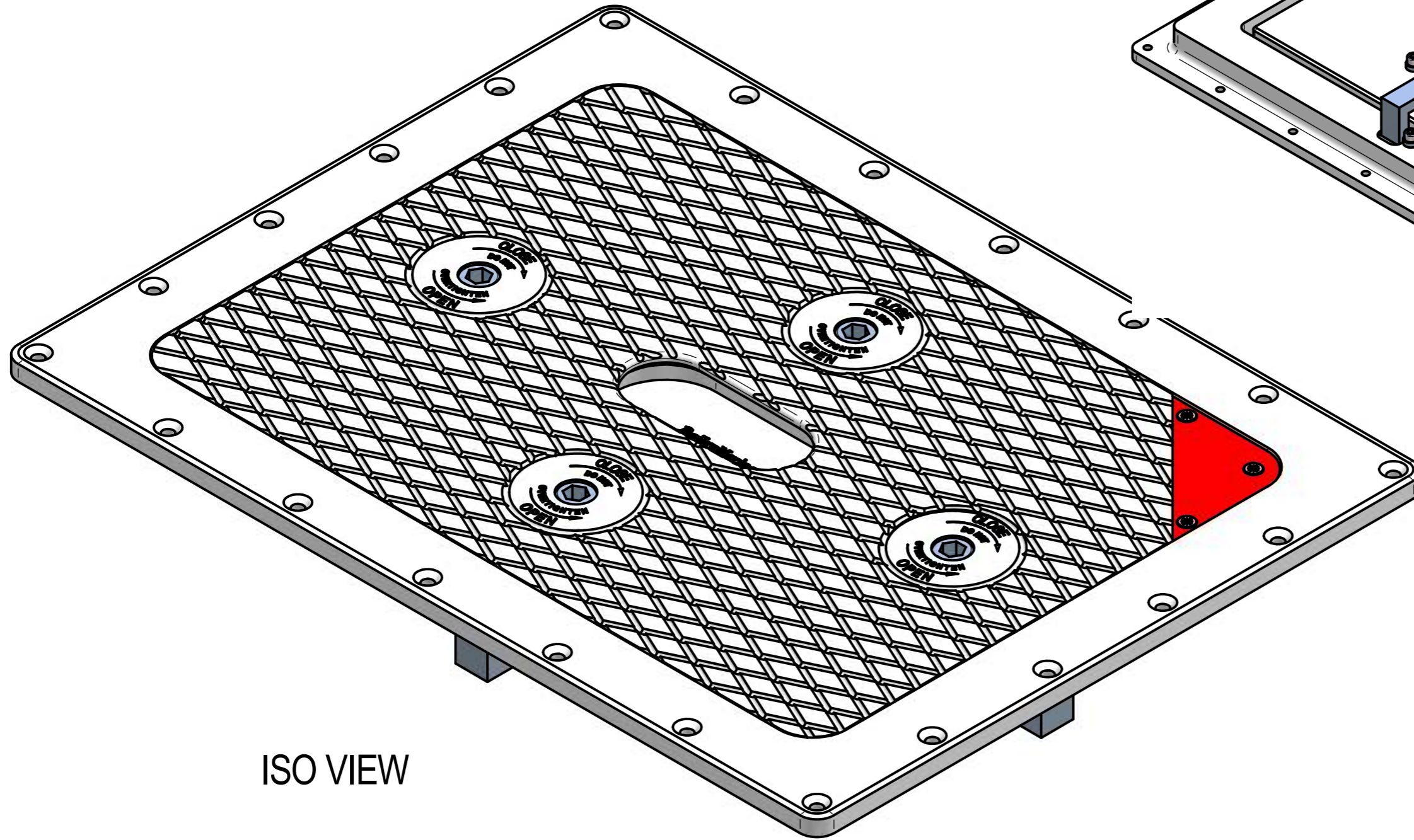
HATCH ASSEMBLY  
 UNIT WEIGHT - 6.7 kg

DESIGNED BY J. E. BAILEY

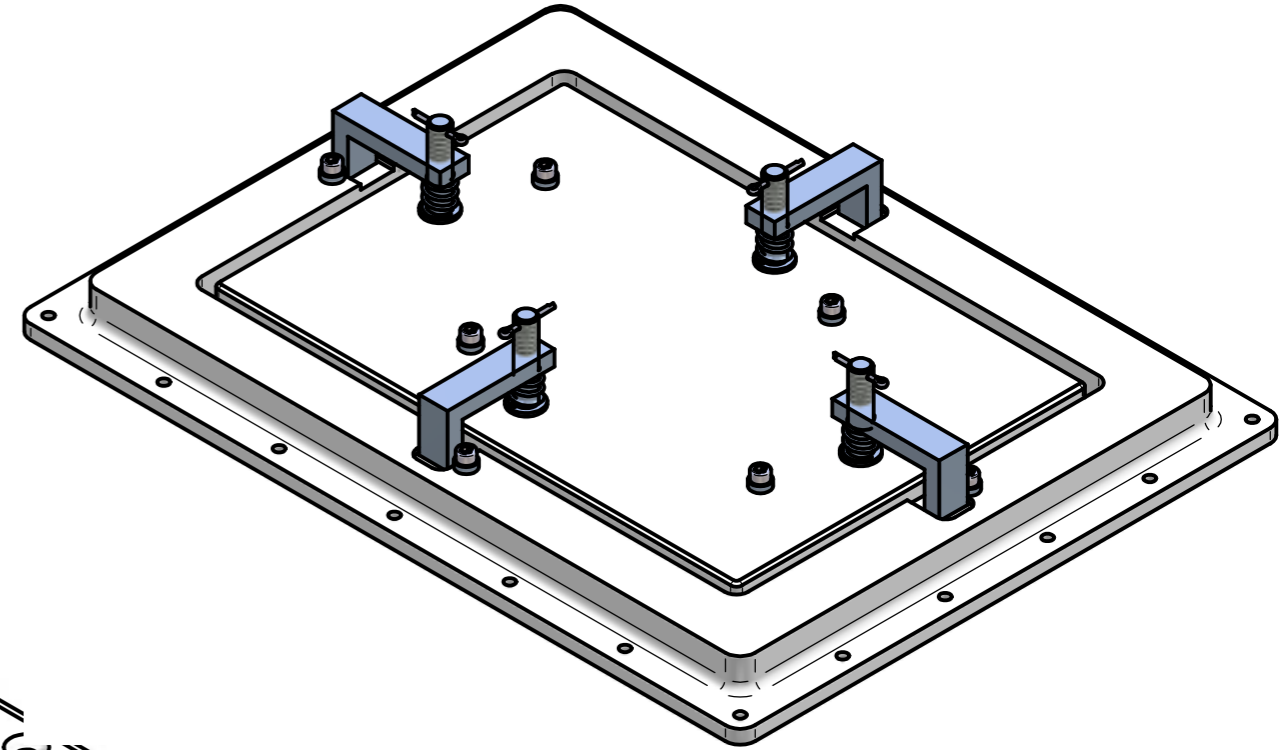
No.	DESCRIPTION	CHK'D	APP'D	DATE
00	ISSUED FOR MANUFACTURE	TCL	JB	07.10
REVISIONS				

DRAWN	TRACED	CHECKED	APPROVED	DATE	SCALE
TCL	-	TCL	JB	* 07.10	1:2

DRAWING No. \* **BM200F (SHEET 1)**



ISO VIEW



ISO VIEW ON REVERSE

NOTES:  
1. READ IN CONJUNCTION WITH SHEET 1.

UNIT WEIGHT - 6.7 kg

DESIGNED BY J. E. BAILEY

No.	DESCRIPTION	CHK'D	APP'D	DATE
00	ISSUED FOR MANUFACTURE	TCL	JB	07.10
REVISIONS				

THIS DRAWING IS CONFIDENTIAL AND IS THE PROPERTY OF BAILEY MARINE AND MUST NOT BE REPRODUCED EITHER WHOLLY OR PARTLY. ALL RIGHTS IN RESPECT OF PATENTS, DESIGN AND COPYRIGHTS ARE RESERVED.

Copyright (c) 2005 Bailey Marine

DRAWN	TRACED	CHECKED	APPROVED	DATE	SCALE
TCL	-	TCL	JB	* 07.10	1:2

DRAWING No. \* **BM200F (SHEET 2)**