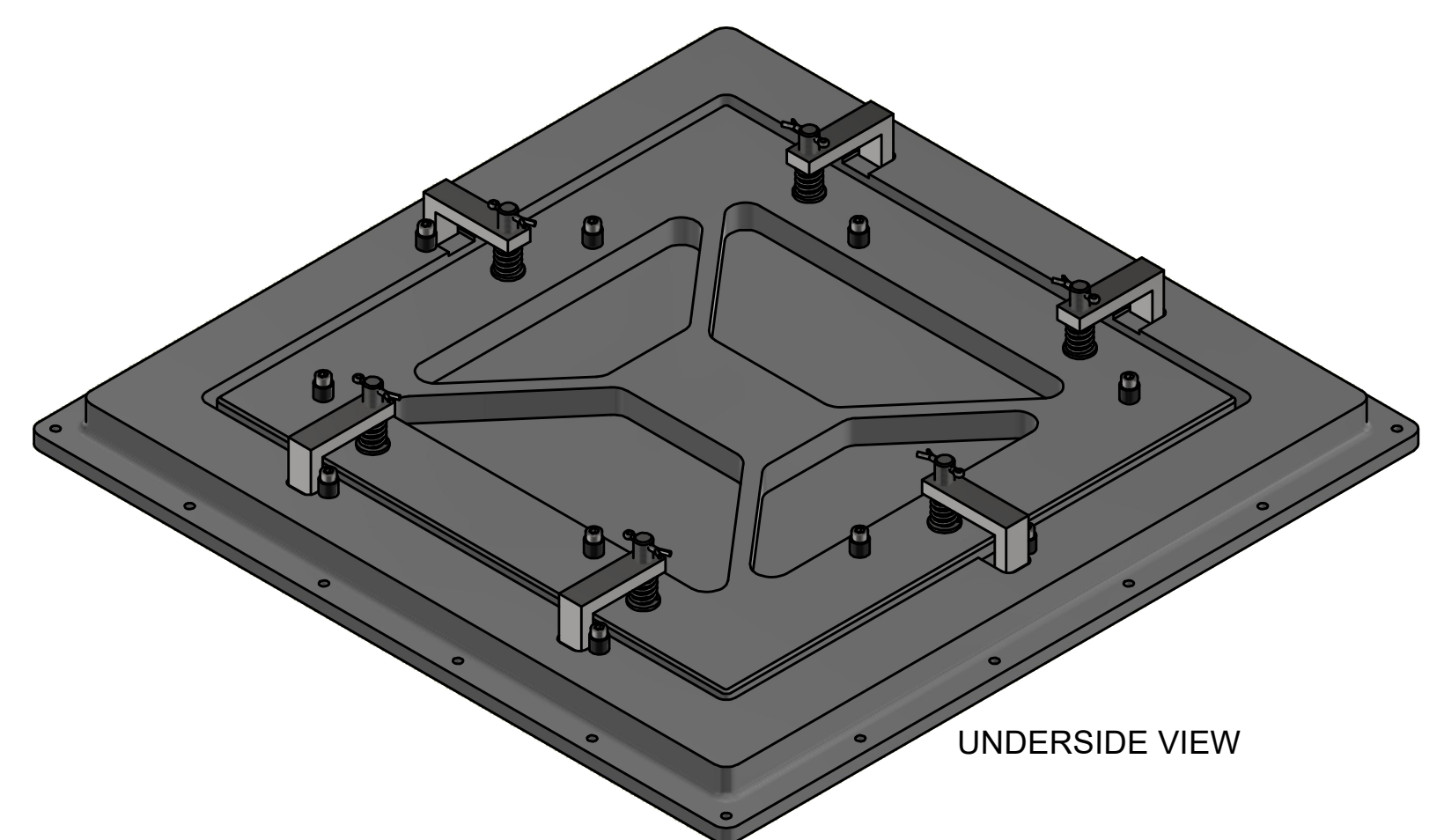
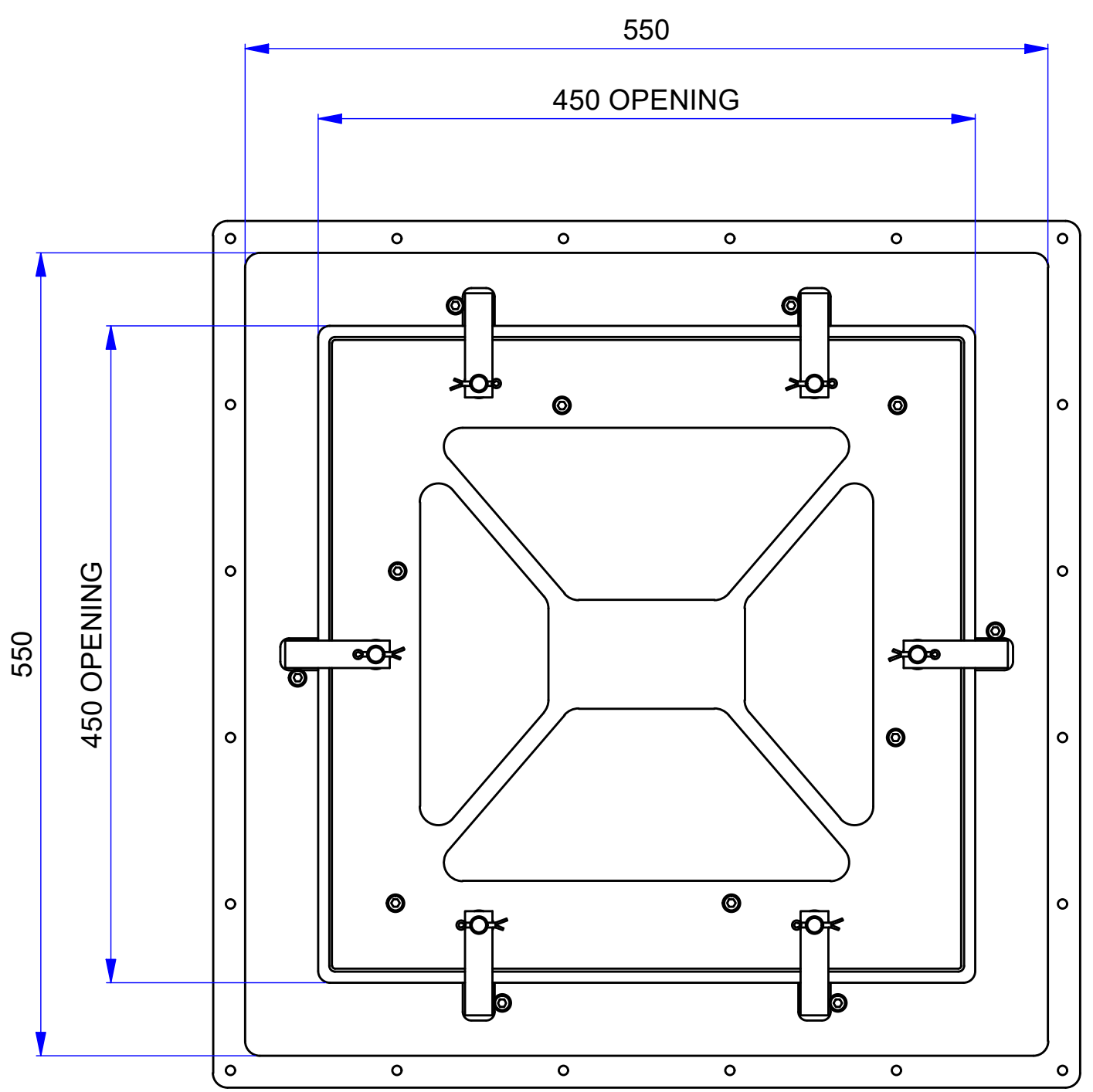
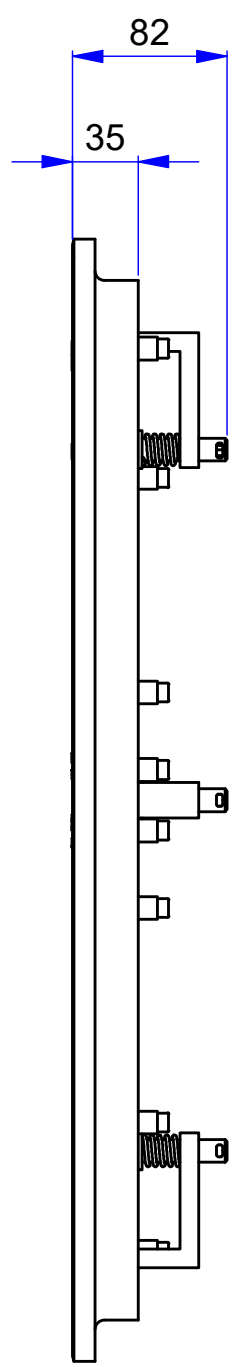
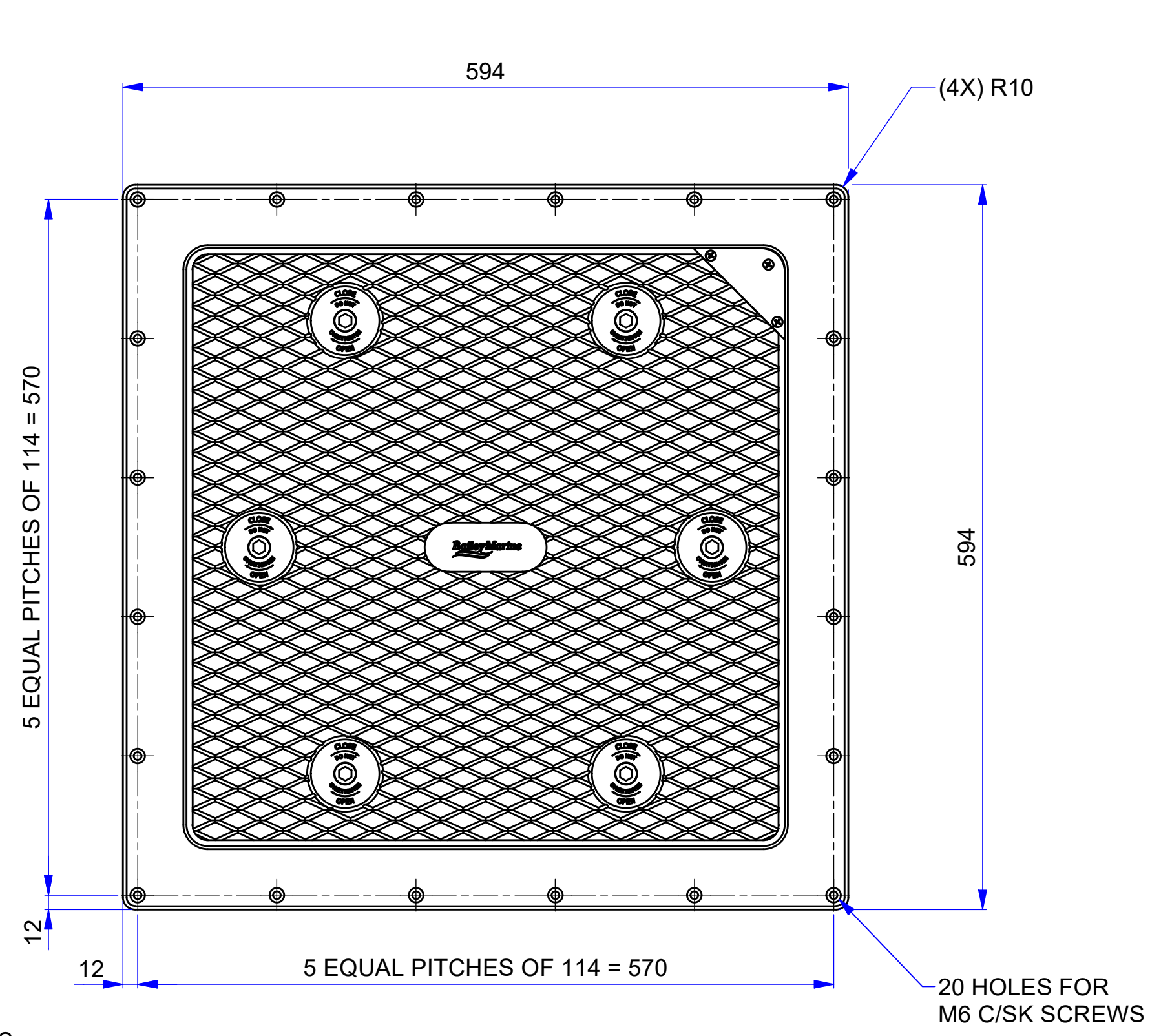


TOP VIEW



UNDERSIDE VIEW



NOTES

- MATERIALS OF CONSTRUCTION:  
DECK PLATE LID & DECK PLATE FRAME: BLACK ACETAL.  
ALL OTHER PARTS (CLAMPS, FIXINGS ETC) STAINLESS STEEL 316
- TOTAL ASSEMBLY WEIGHT: 14.2Kg  
DECK PLATE LID: 9.26Kg

THIS DRAWING IS CONFIDENTIAL AND IS THE PROPERTY OF BAILEY MARINE. ALL RIGHTS IN RESPECT OF PATENTS, DESIGN AND COPYRIGHTS ARE RESERVED. © 2017

ISSUE No	DATE	C.R. No.	CERT
4	14/08/20	Lightening Features Added	CF
3	25/07/19	UPDATED	CF
2	10/05/19	RE-DRAWN	JEB

DRN S/JH	MATERIAL SEE NOTE 1	FINISH CLEAN	TITLE BM250F WATER TIGHT DECK PLATE
CHKD	THIRD ANGLE PROJECTION	TOLERANCES UNLESS OTHERWISE STATED: 0 ± 0.25 0.0 ± 0.1 0.00 ± 0.05 ANGLE ± 1°	OUTLINE DRAWING
SCALE 1:4		SURFACE TEXTURE 	REMOVE ALL BURRS AND SHARP EDGES
		UNLESS STATED DIMENSIONS IN: mm	PROJECT NUMBER
			COMPONENT GROUP DECK PLATE
			DRAWING NUMBER BM250F Sales
			SHT 1 of 1

