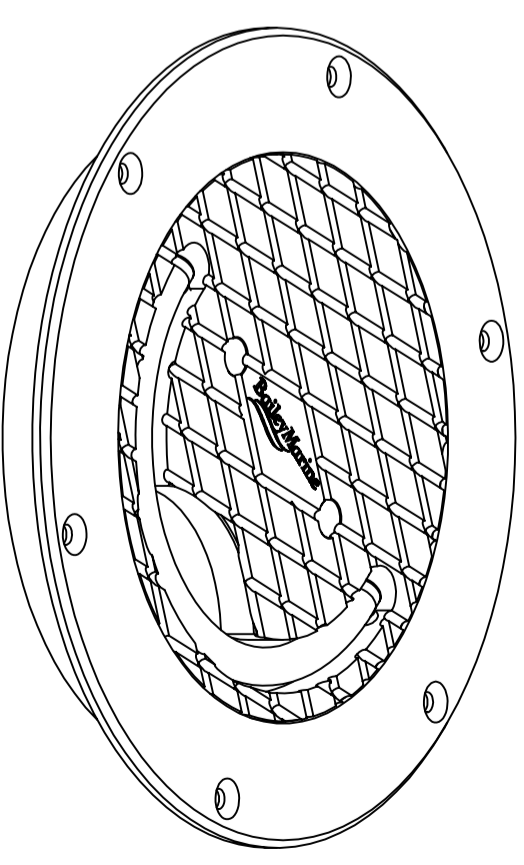
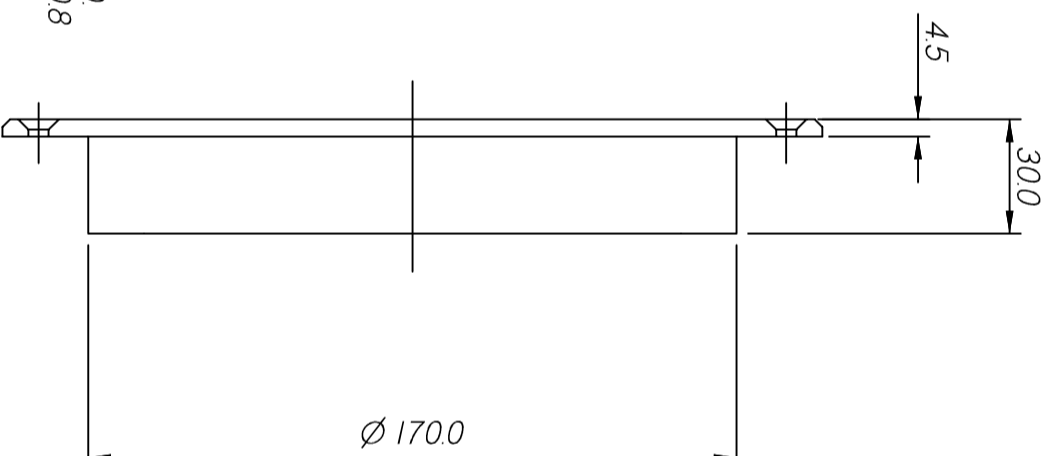


6 HOLES $\varnothing 5.3$ THRU.
C.SINK @90° TO $\varnothing 108$



ISOMETRIC VIEW

NAME: DECK PLATE ASSEMBLY
MATERIAL: ACETAL
BREAK SHARP EDGES

THIS DRAWING IS CONFIDENTIAL AND IS THE PROPERTY OF BAILEY MARINE AND MUST NOT BE REPRODUCED EITHER WHOLLY OR PARTLY. ALL RIGHTS IN RESPECT OF PATENTS, DESIGN AND COPYRIGHTS ARE RESERVED.

UNIT WEIGHT - 4.4 Kg

DESIGNED BY J. E. BAILEY

DRAWN	TRACED	CHECKED	APPROVED	DATE	SCALE
TCL	-	TCL	JB	9/6/14	1:2

DRAWING No. * BM83A_SALES

No.	DESCRIPTION	CHK'D	APP'D	DATE
01	FIRST ISSUE	TCL	JB	9/6/14

REVISIONS