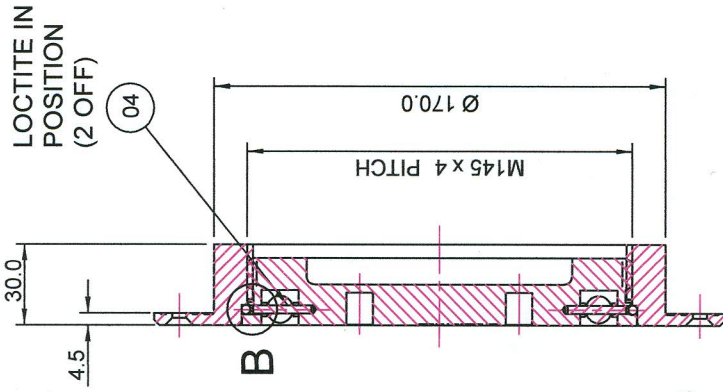
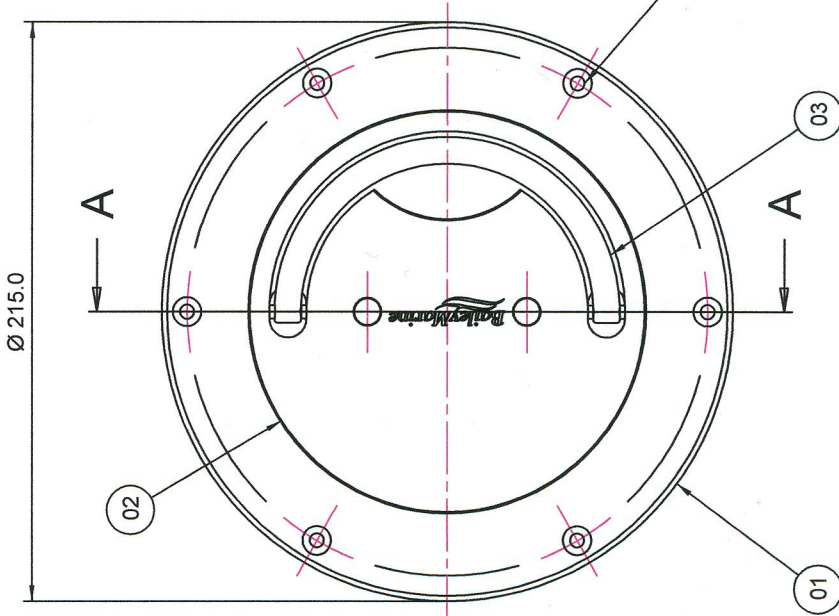


DO NOT SCALE

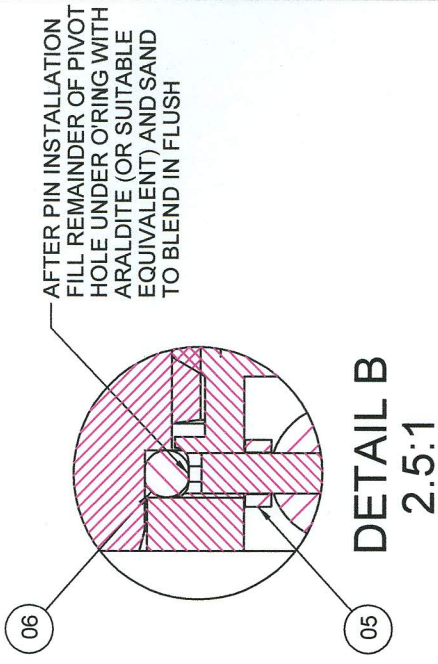
THIRD ANGLE PROJECTION



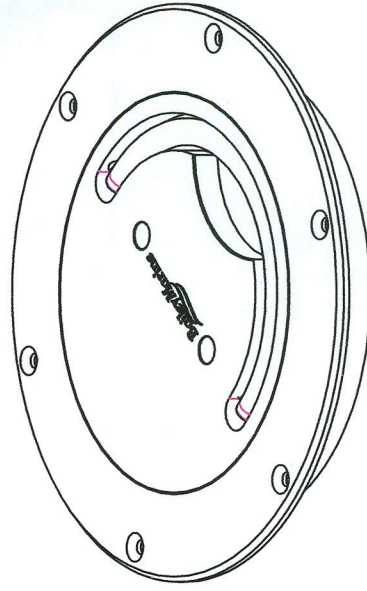
TOLERANCES ± 0.1 EXCEPT AS SHOWN



SECTION A-A
1:2



NOTE:
ITEM 07 (KEY) TO BE SUPPLIED WITH THIS ASSEMBLY



ISOMETRIC VIEW

NAME: DECK PLATE ASSEMBLY
MATERIAL: ACETAL
BREAK SHARP EDGES

UNIT WEIGHT - 900g

DESIGNED BY J. E. BAILEY

THIS DRAWING IS CONFIDENTIAL AND IS THE PROPERTY OF BAILEY MARINE AND MUST NOT BE REPRODUCED EITHER WHOLLY OR PARTLY. ALL RIGHTS IN RESPECT OF PATENTS, DESIGN AND COPYRIGHTS ARE RESERVED.

01	WEIGHT WAS 4.4KG	TCL	JB	07.13
00	ISSUED FOR MANUFACTURE	TCL	JB	06.12
No.	DESCRIPTION	CHKD	APPD	DATE

REVISIONS

DRAWN	TRACED	CHECKED	APPROVED	DATE	SCALE
TCL	-	TCL	JB	06.12	1:2
DRAWING No. * BM83					