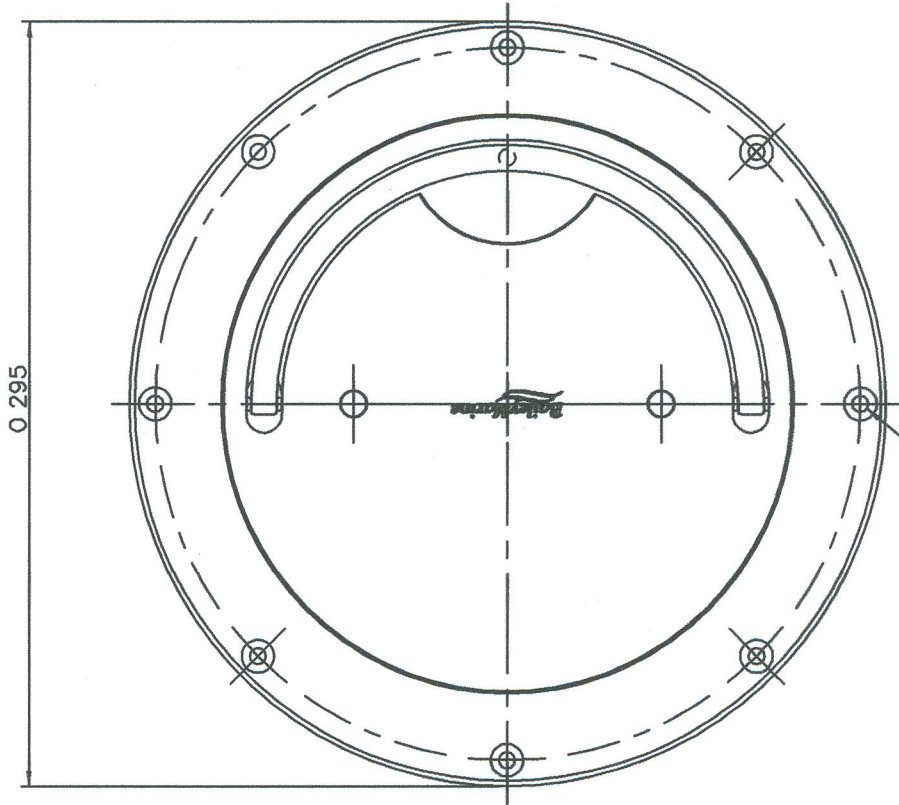


DO NOT SCALE

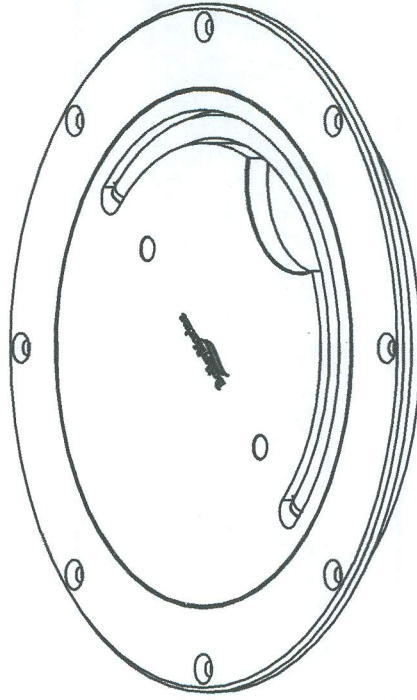
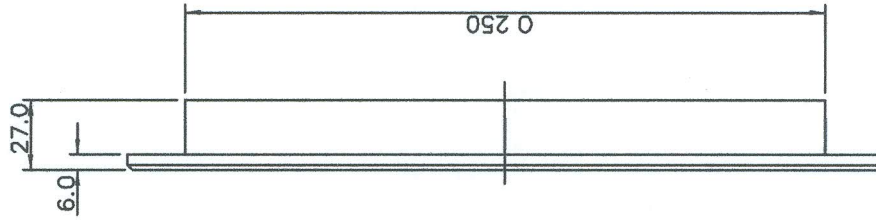
THIRD ANGLE PROJECTION

TOLERANCES±

0.1 EXCEPT AS SHOWN



8 HOLES FOR M6 COUNTERSINK SCREWS



ISOMETRIC VIEW

NAME: DECK PLATE ASSEMBLY  
MATERIAL: ACETAL

THIS DRAWING IS CONFIDENTIAL AND IS THE PROPERTY OF BAILEY MARINE AND MUST NOT BE REPRODUCED EITHER WHOLLY OR PARTLY. ALL RIGHTS IN RESPECT OF PATENTS, DESIGN AND COPYRIGHTS ARE RESERVED.

Copyright (c) 2005 Bailey Marine

UNIT WEIGHT - 2KG  
DESIGNED BY J. E. BAILEY

No.	DESCRIPTION	CHK'D	APP'D	DATE

DRAWN	TRACED	CHECKED	APPROVED	DATE	SCALE
TCL	-	TCL	JB	* 02.14	1:2

REVISIONS

DRAWING No. \* BM91 SALES