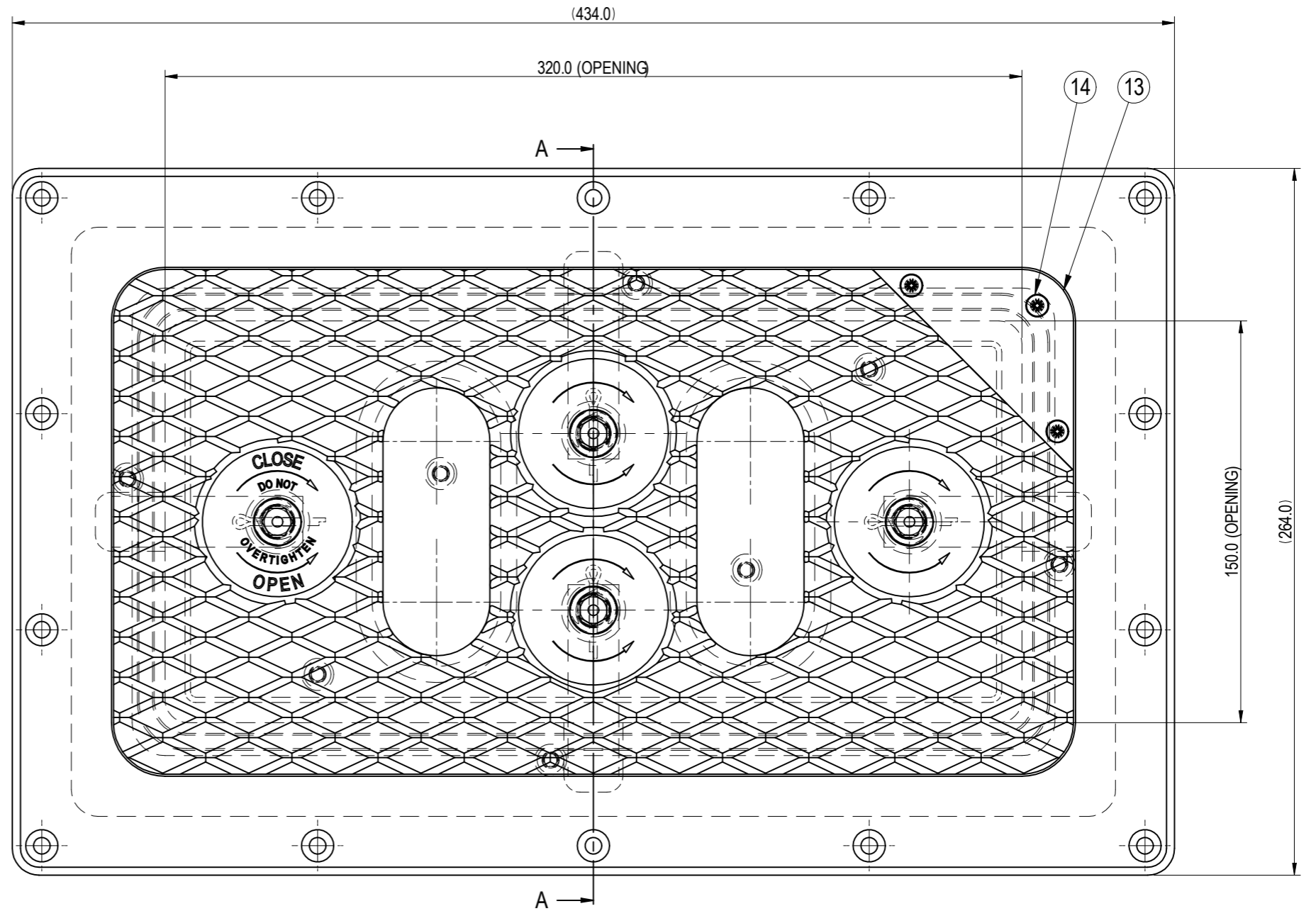


SECTION A-A



NAME: HATCH ASSEMBLY  
 MATERIAL:  
 BREAK SHARP EDGES

THIS DRAWING IS CONFIDENTIAL AND IS THE PROPERTY OF BAILEY MARINE AND MUST NOT BE REPRODUCED EITHER WHOLLY OR PARTLY. ALL RIGHTS IN RESPECT OF PATENTS, DESIGN AND COPYRIGHTS ARE RESERVED.

Copyright (c) 2005 Bailey Marine

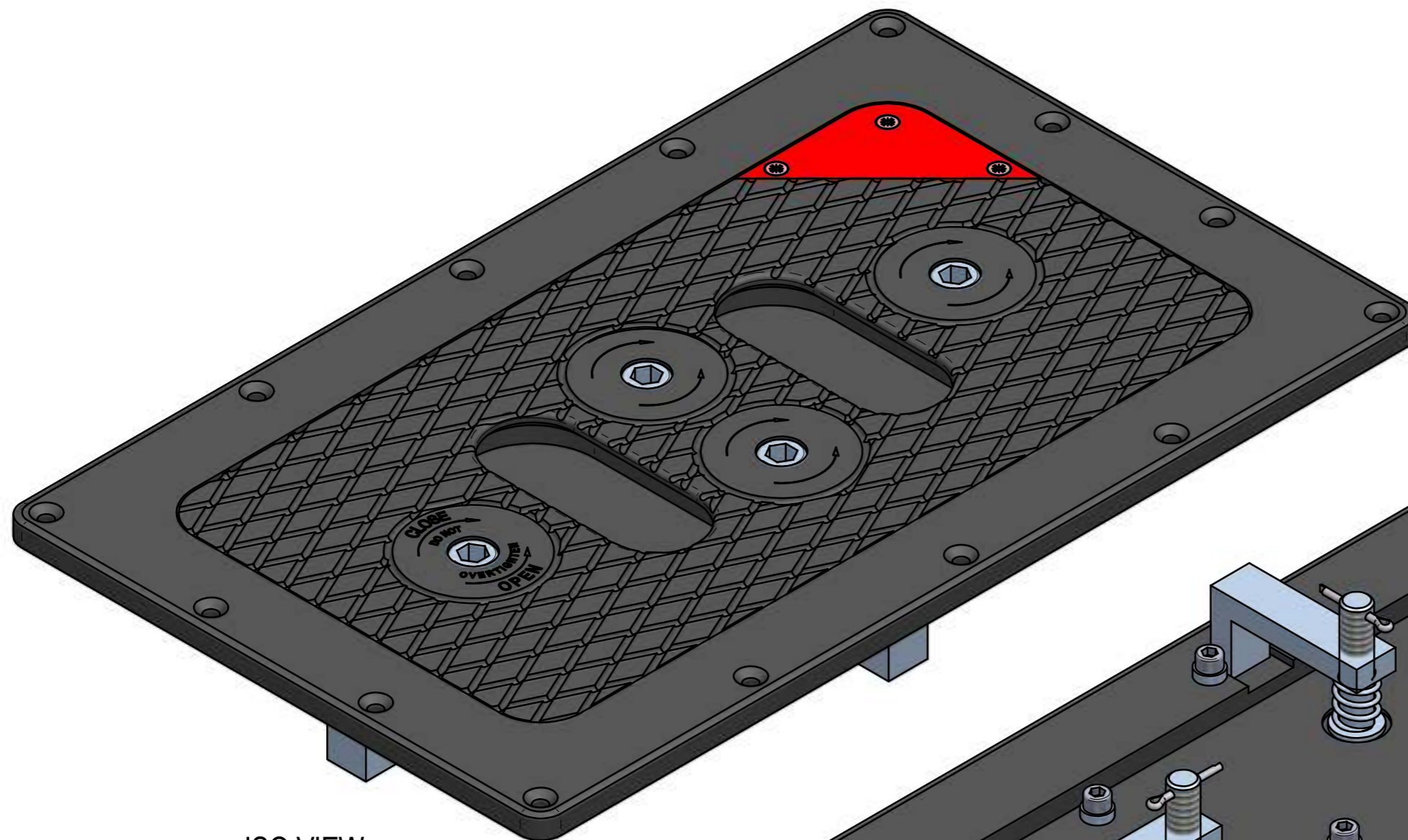
NOTE:  
 1. ITEM 012 - KEY TO BE SUPPLIED WITH THIS ASSEMBLY.  
 2. READ IN CONJUNCTION WITH SHEET 2.

UNIT WEIGHT - 3.9 kg  
 DESIGNED BY J. E. BAILEY

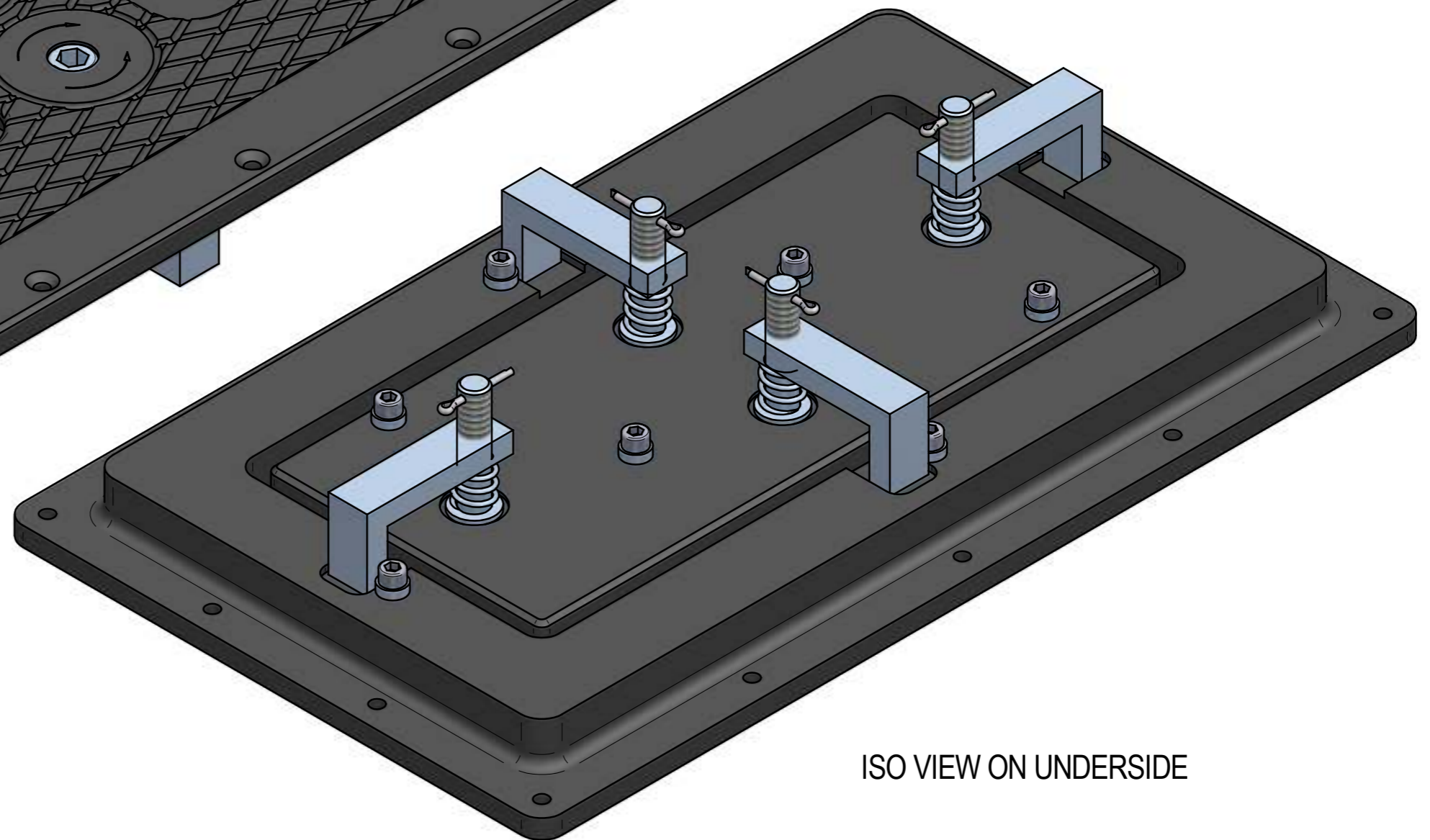
DRAWN	TRACED	CHECKED	APPROVED	DATE	SCALE
TCL	-	TCL	JB	12.16	1:1

DRAWING No. \* BM97F

No.	DESCRIPTION	CHK'D	APP'D	DATE
00	ISSUED FOR MANUFACTURE	TCL	JB	12.16
REVISIONS				



ISO VIEW



ISO VIEW ON UNDERSIDE

UNIT WEIGHT- 3.9 kg

DESIGNED BY J. E. BAILEY

THIS DRAWING IS CONFIDENTIAL AND IS THE PROPERTY OF BAILEY MARINE AND MUST NOT BE REPRODUCED EITHER WHOLLY OR PARTLY. ALL RIGHTS IN RESPECT OF PATENTS, DESIGN AND COPYRIGHTS ARE RESERVED.

Copyright (c) 2005 Bailey Marine

DRAWN	TRACED	CHECKED	APPROVED	DATE	SCALE
TCL	-	TCL	JB	* 12.16	1:1

DRAWING No. \* **BM97F**

No.	DESCRIPTION	CHK'D	APP'D	DATE
00	ISSUED FOR MANUFACTURE	TCL	JB	12.16
REVISIONS				