

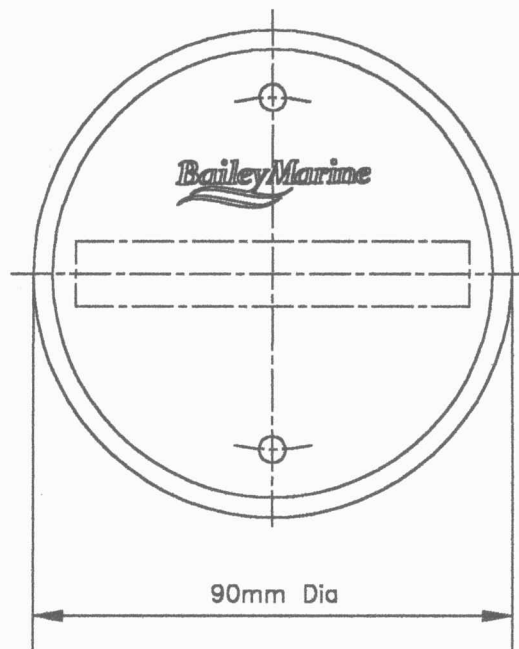
Bailey Marine

FILLER PLUG ASSEMBLY
CONCEALED FASTENING

BMFC50F^m

ALL S316 STAINLESS STEEL CONSTRUCTION

THREAD DRY FILM LUBRICATED



Pressure tested to 1 Bar

