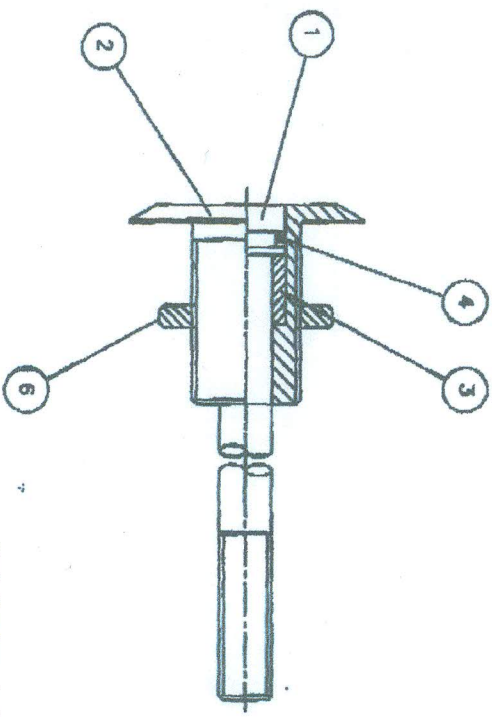
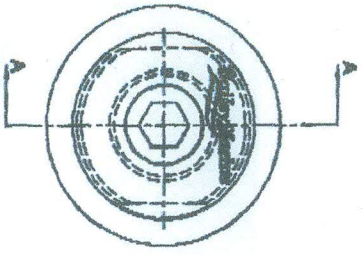


DO NOT SCALE THIRD ANGLE PROJECTION



TOLERANCES ±1 EXCEPT AS SHOWN
Unspecified surface finish $\sqrt{8}$

Part Number	Length of Bolt	MIN LENGTH OF THREAD
BMHF71A	70mm	35mm (5T ₂)
BMHF71B	80mm	45mm
BMHF71C	100mm	65mm
BMHF71F	120mm	85mm
BMHF71E	150mm	115mm



Item (5) to be supplied with this assy

Port Section A-A

Title: Hoop fitting

DESIGNED BY J. E. BAILEY

REV.	DESCRIPTION	TCL.	JB	DATE
1	FROM 6 ADEDU			6/12

THIS DRAWING IS CONFIDENTIAL AND IS THE PROPERTY OF BAILEY MARINE AND MUST NOT BE REPRODUCED EITHER WHOLLY OR PARTLY. ALL RIGHTS IN RESPECT OF PATENTS, DESIGN AND COPYRIGHTS ARE RESERVED.

Copyright (c) 2000 Bailey Marine

DRAWN	CHECKED	APPROVED	DATE	SCALE
R.J.W			15/4/08	N.T.S.

DRAWING No. BMHF71A-E