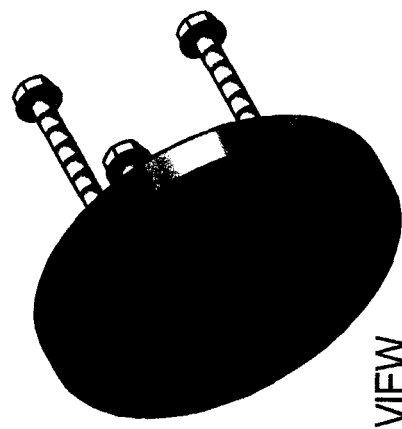
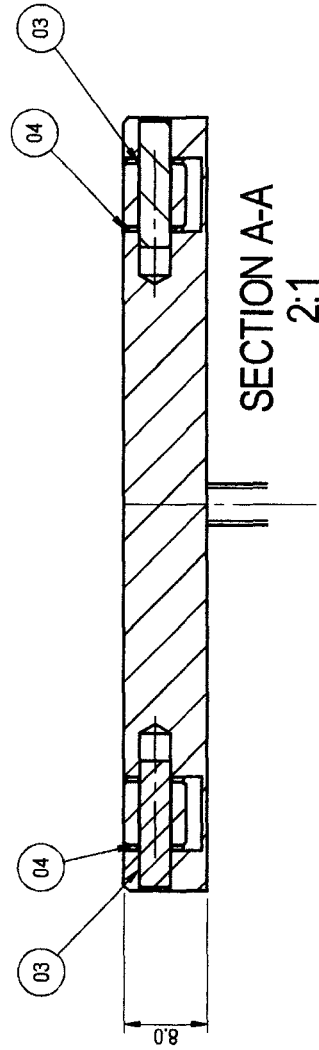
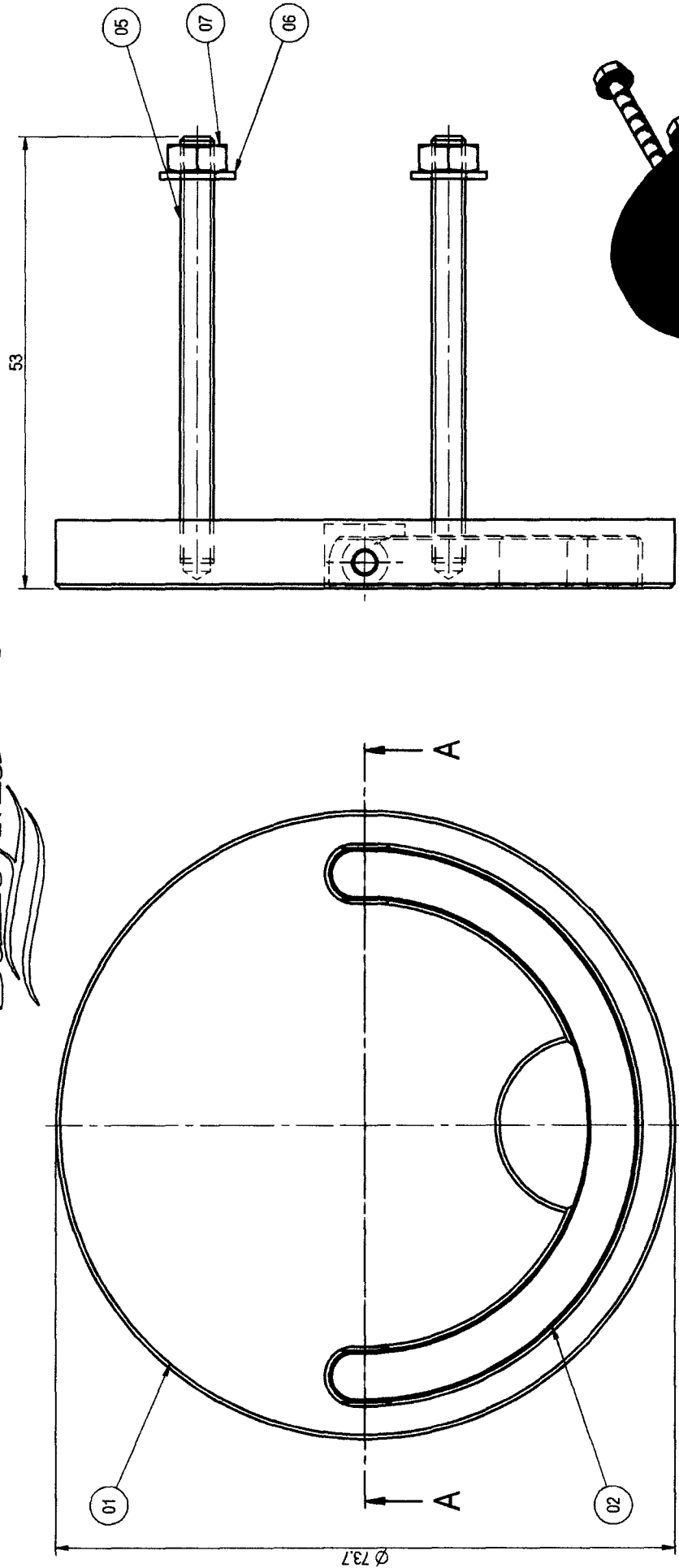


Bailey Marine

DO NOT SCALE THIRD ANGLE PROJECTION

TOLERANCES ± 0.1 EXCEPT AS SHOWN



ISOMETRIC VIEW

UNIT WEIGHT - 0.5 KG
DESIGNED BY J. E. BAILEY

THIS DRAWING IS CONFIDENTIAL AND IS THE PROPERTY OF BAILEY MARINE AND MUST NOT BE REPRODUCED EITHER WHOLLY OR PARTLY. ALL RIGHTS IN RESPECT OF PATENTS, DESIGN AND COPYRIGHTS ARE RESERVED.

LATCH HEAD ASSEMBLY

DRAWN TCL	TRACED -	CHECKED TCL	APPROVED JB	DATE * 08.11	SCALE 2:1
--------------	-------------	----------------	----------------	-----------------	--------------

DRAWING No. * BMLR300

No.	ISSUED FOR MANUFACTURE	TCL	JB	08.11	DATE
	DESCRIPTION	CHK'D	APP'D		

REVISIONS

Copyright (c) 2005 Bailey Marine