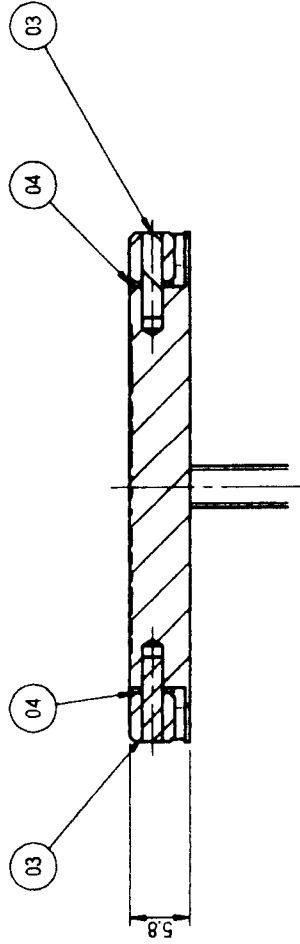
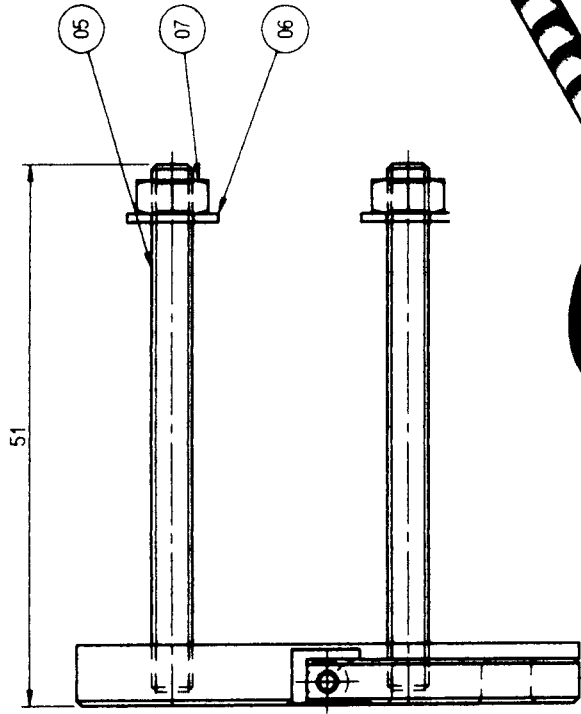
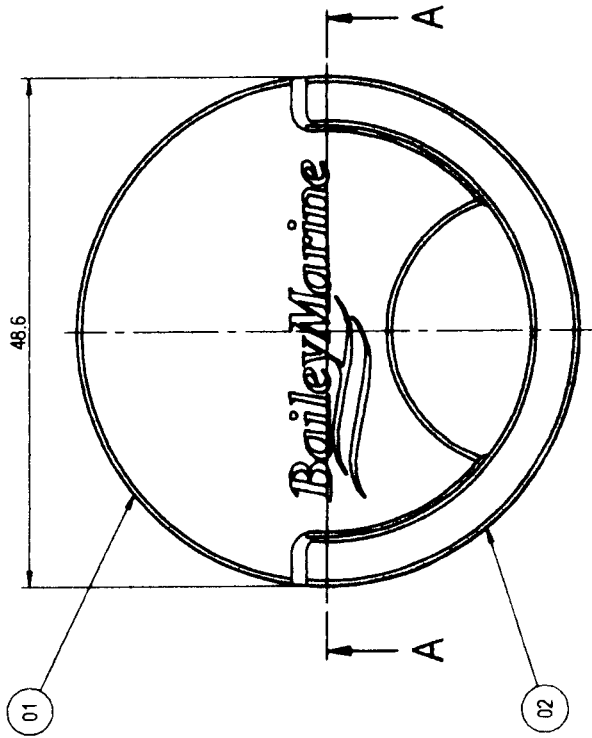


DO NOT SCALE

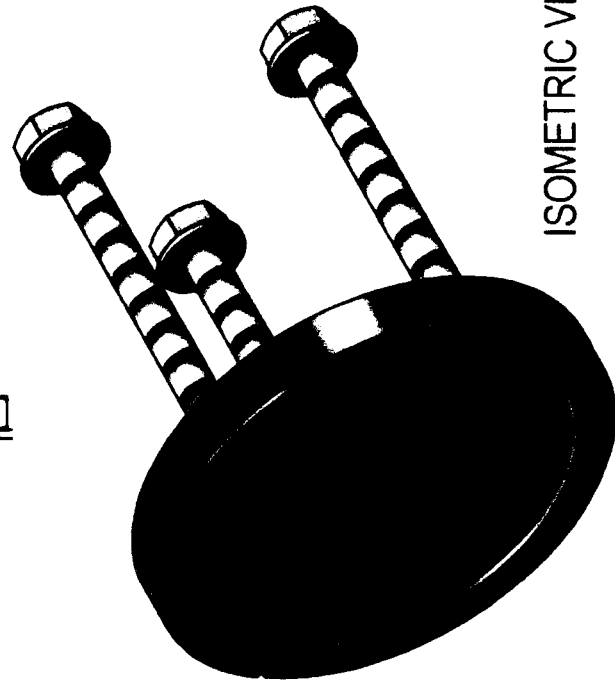
THIRD ANGLE PROJECTION

TOLERANCES ± 0.1 EXCEPT AS SHOWN

**BaileyMarine**



SECTION A-A  
2:1



ISOMETRIC VIEW

LATCH HEAD ASSEMBLY

UNIT WEIGHT - 0.5 KG

THIS DRAWING IS THE PROPERTY OF BAILEY MARINE LTD. IT IS TO BE USED ONLY FOR THE MANUFACTURE OF THE PARTS SPECIFIED HEREIN. IT IS NOT TO BE REPRODUCED OR TRANSMITTED IN ANY FORM OR BY ANY MEANS, ELECTRONIC OR MECHANICAL, INCLUDING PHOTOCOPYING, RECORDING, OR BY ANY INFORMATION STORAGE AND RETRIEVAL SYSTEM.

© 2008 Bailey Marine

00	ISSUED FOR MANUFACTURE	TCL	JB	07.11
NO.	DESCRIPTION	DATE	BY	APP.
REVISIONS				

ISSUED	DATE	BY	APP.
TCL	07.11	JB	1.1
PART NO. BMLR301			