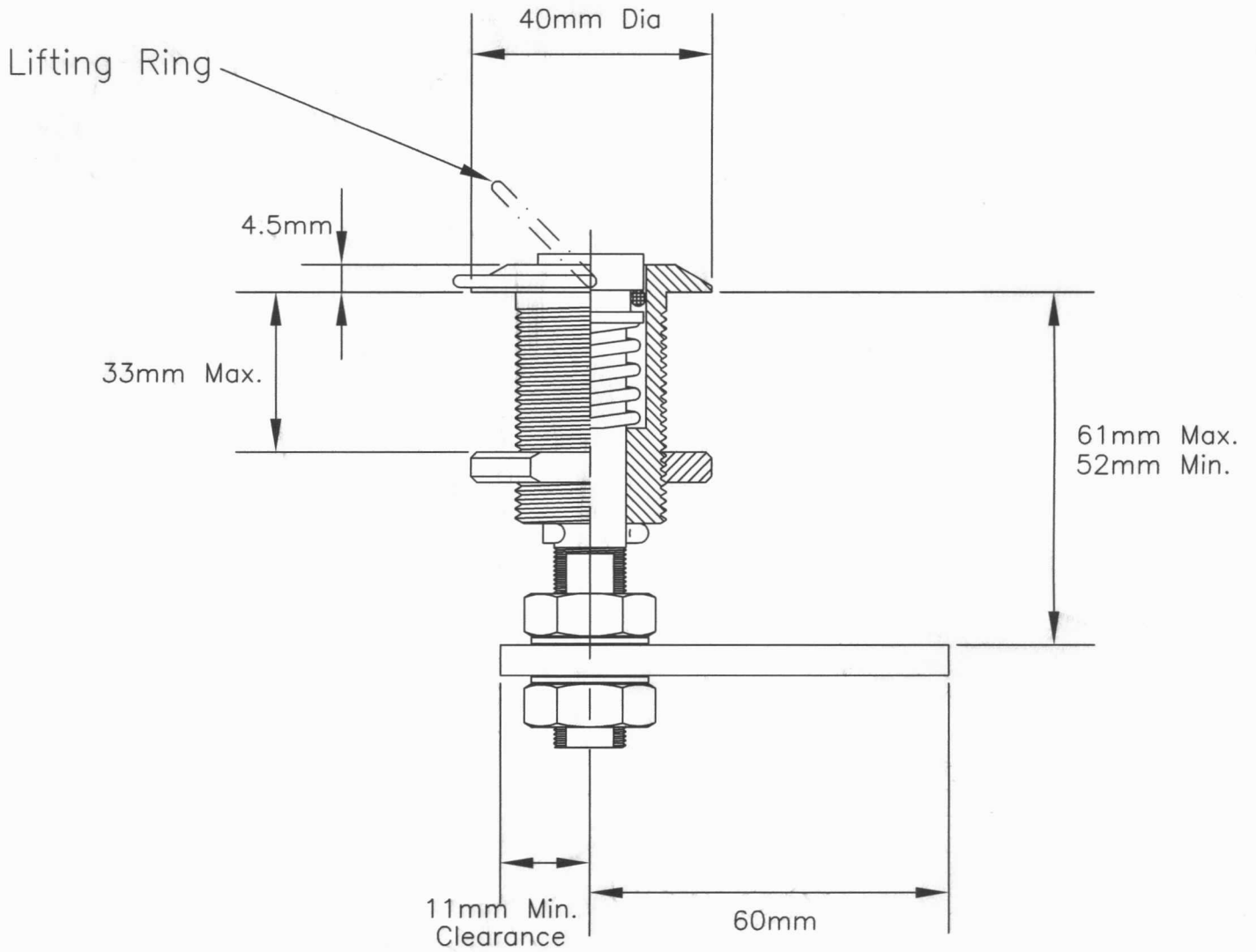


# LOCKER LATCH ASSEMBLY

BMLL114SM (surface mounted)

ALL S316 STAINLESS STEEL CONSTRUCTION



12Kg Holding Force

