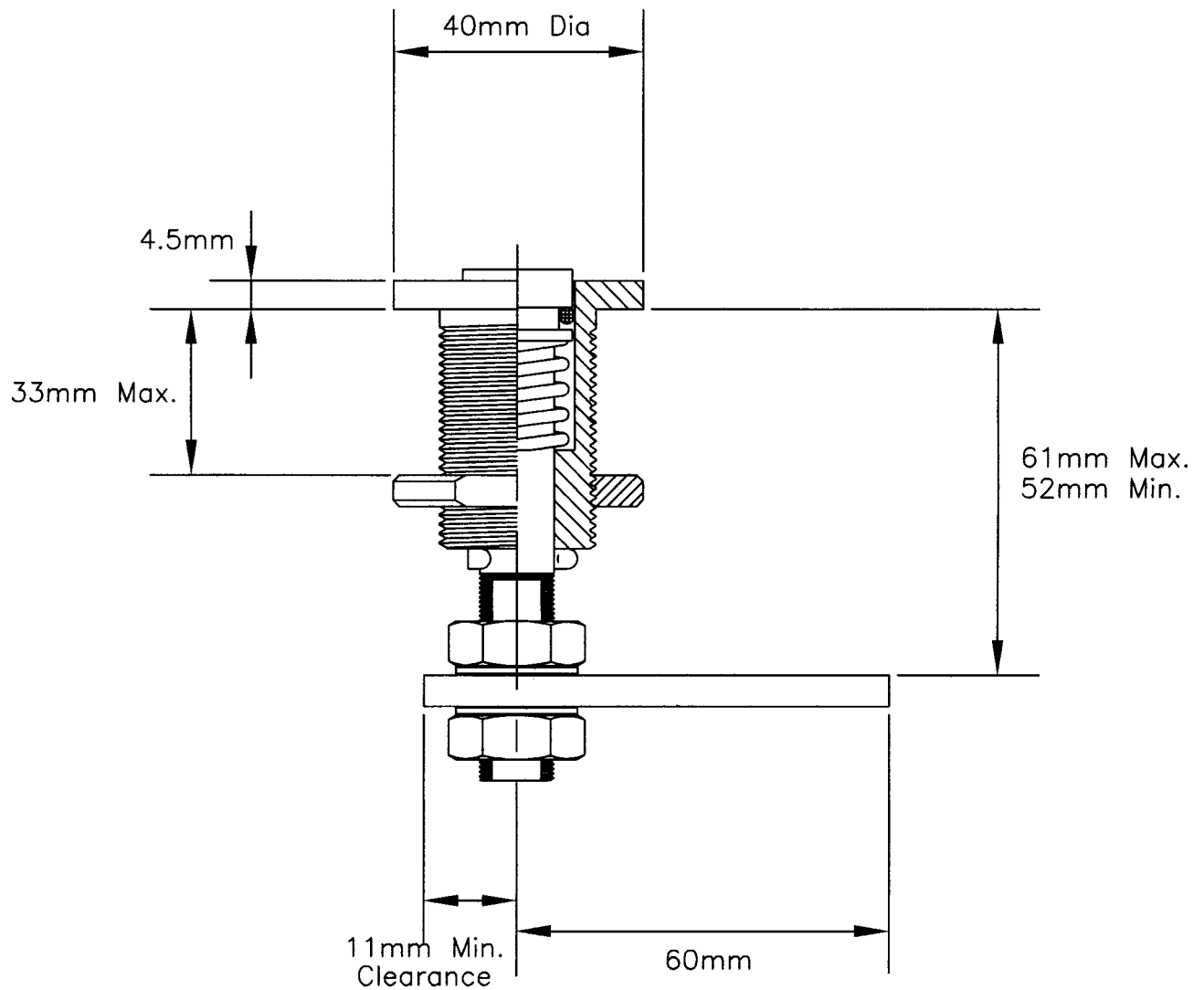


LOCKER LATCH ASSEMBLY  
BMLL115FM (flush mounted)

ALL S316 STAINLESS STEEL CONSTRUCTION



12Kg Holding Force

