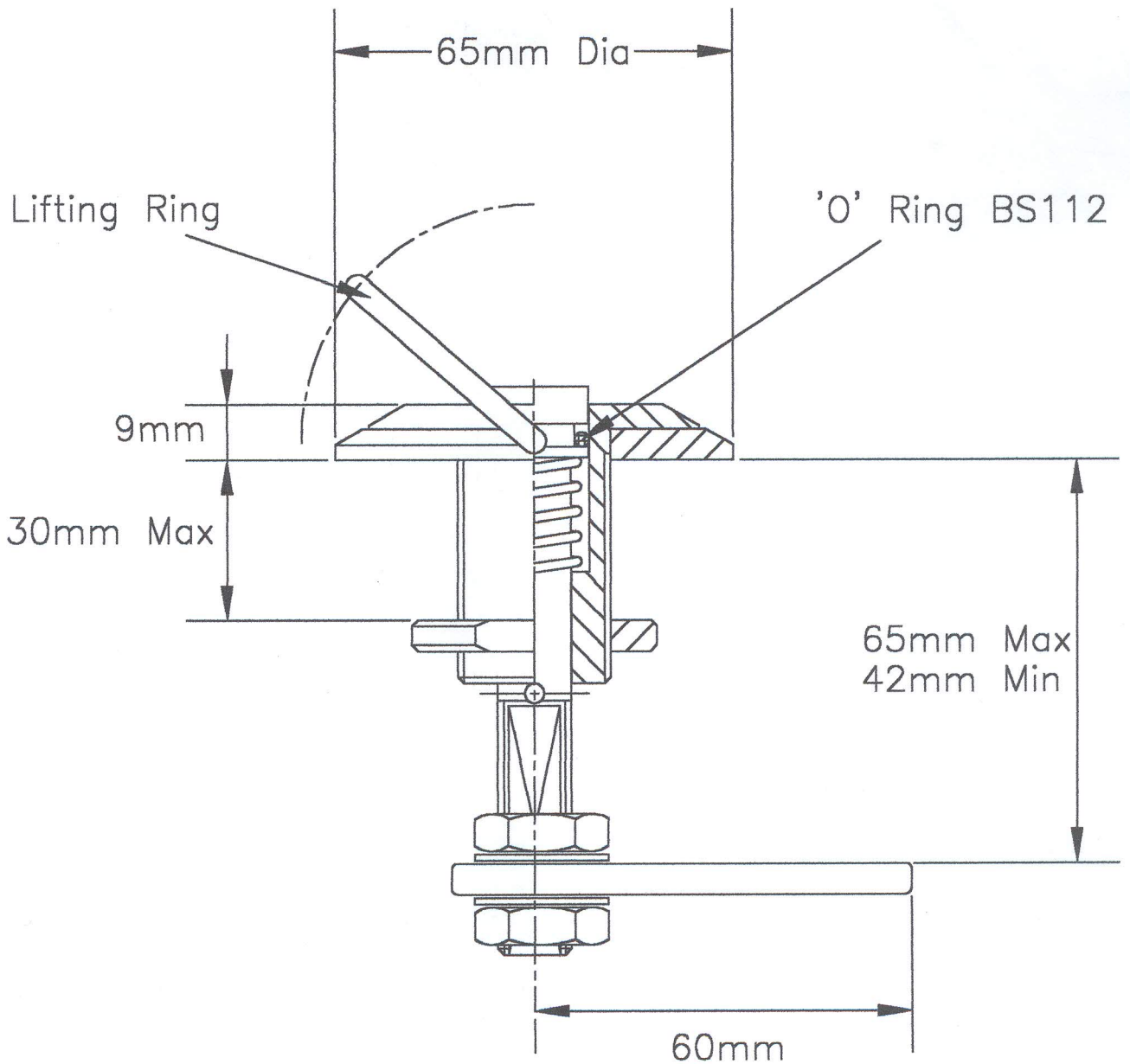


Bailey Marine

LOCKER LATCH ASSEMBLY

BMLL116

S316 STAINLESS STEEL CONSTRUCTION



12Kg Holding Force