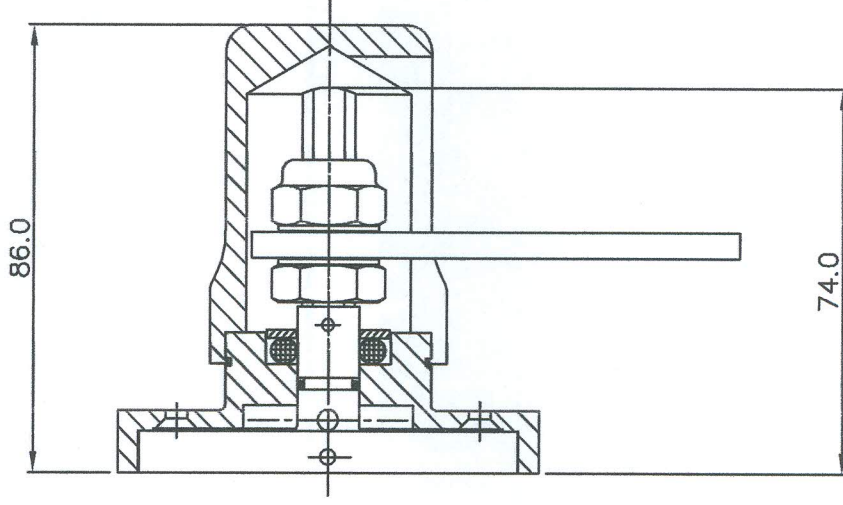
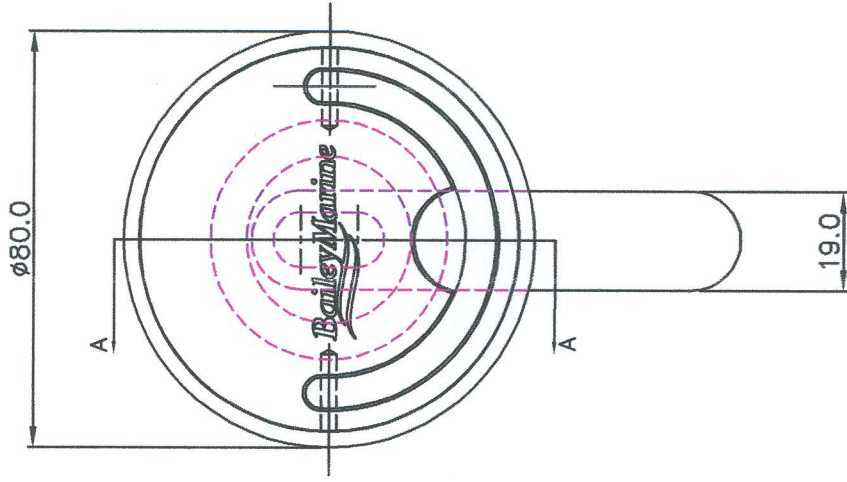


DO NOT SCALE

THIRD ANGLE PROJECTION

*Bailey Marine*

TOLERANCES ±:1 EXCEPT AS SHOWN



PART SECTION A-A

TITLE: LATCH ASSY  
DESIGNED BY J. E. BAILEY

THIS DRAWING IS CONFIDENTIAL AND IS THE PROPERTY OF BAILEY MARINE AND MUST NOT BE REPRODUCED EITHER WHOLLY OR PARTLY. ALL RIGHTS IN RESPECT OF PATENTS, DESIGN AND COPYRIGHTS ARE RESERVED.

Copyright (c) 1999 Bailey Marine

NO.	DESCRIPTION	CHK'D	APP'D	DATE
00	FIRST ISSUE	TCL	JB	29.09.13
REVISIONS				

DRAWN	TRACED	CHECKED	APPROVED	DATE	SCALE
TCL				29.09.13	N.T.S.

DRAWING No. BMLL118SSWC