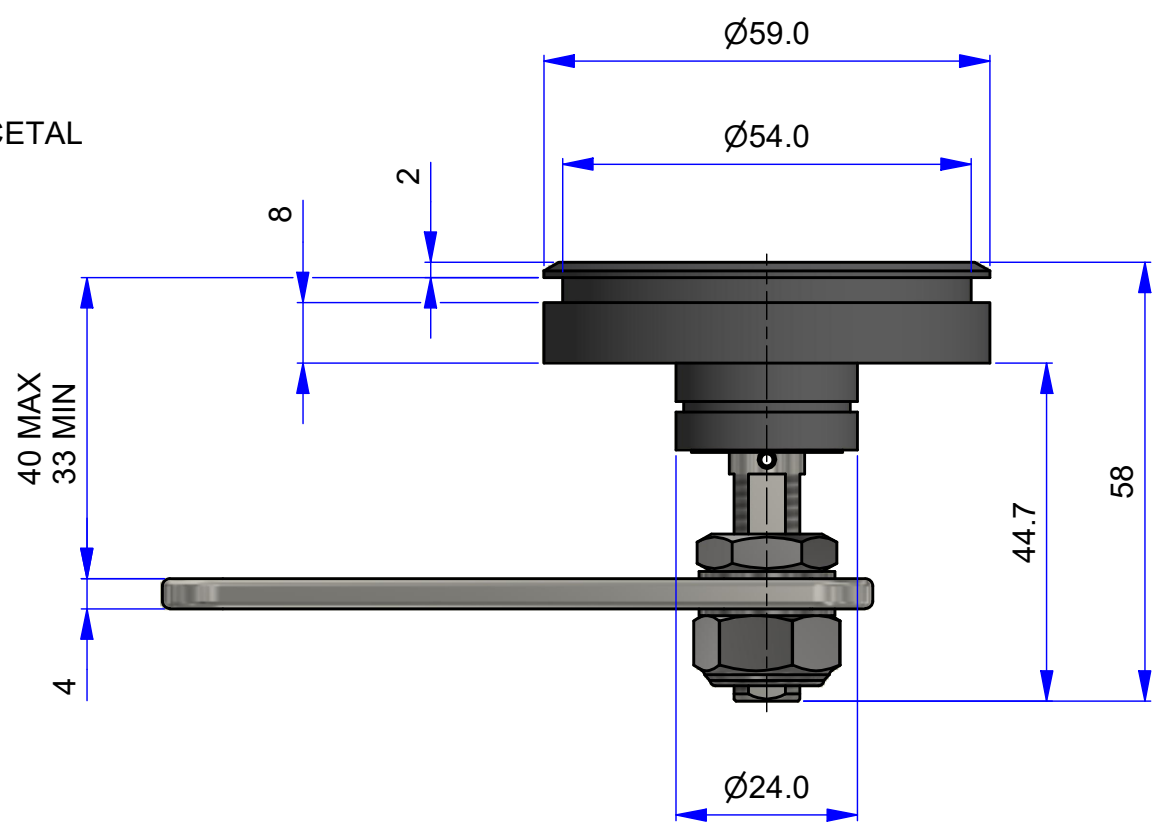
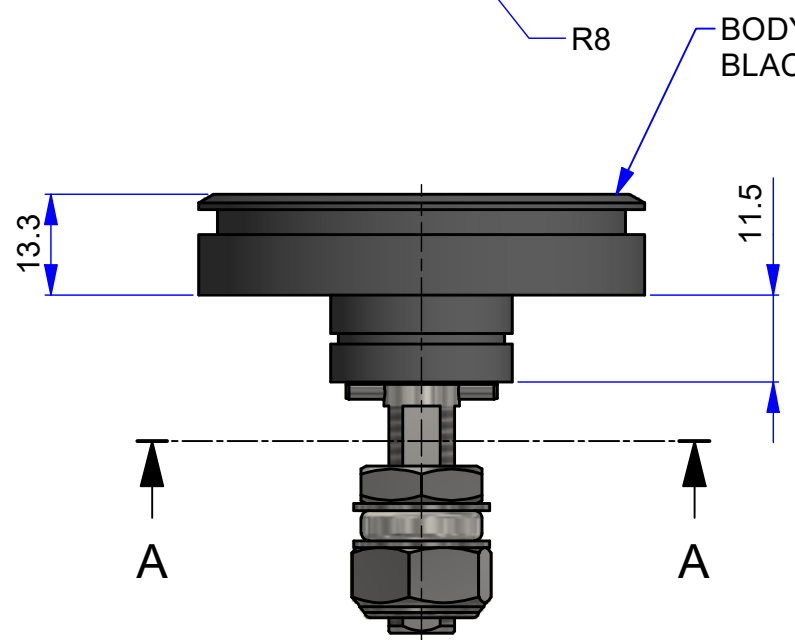
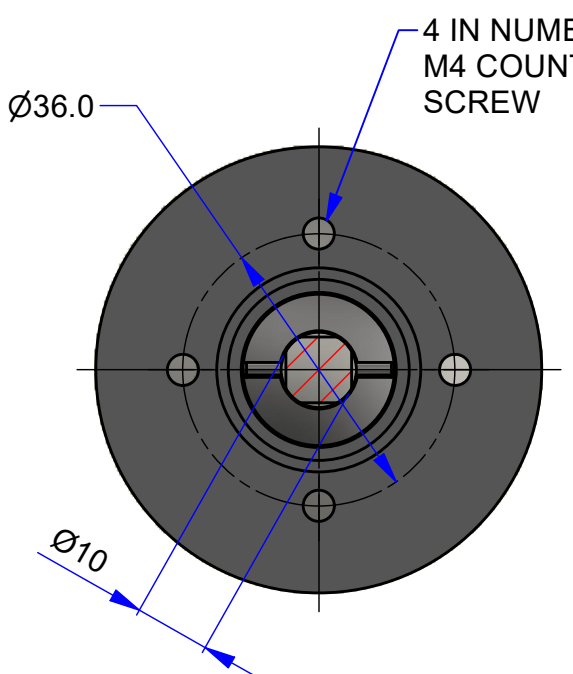
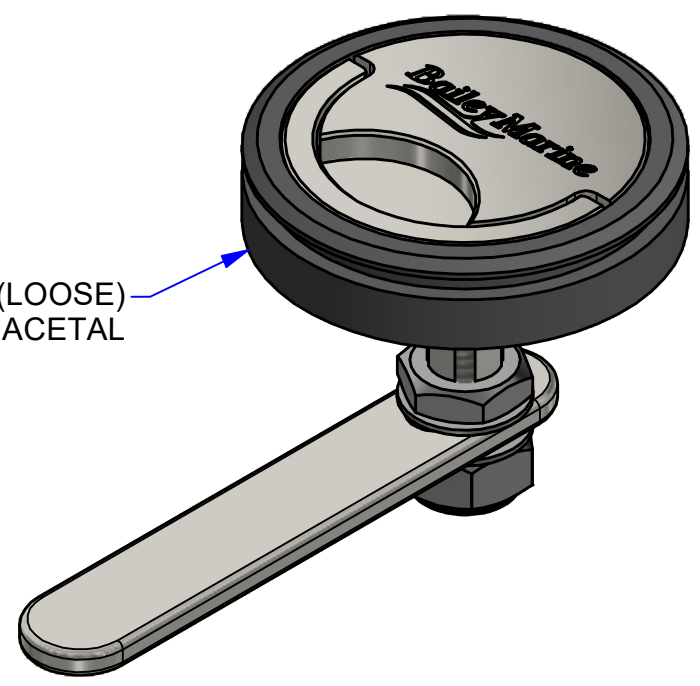
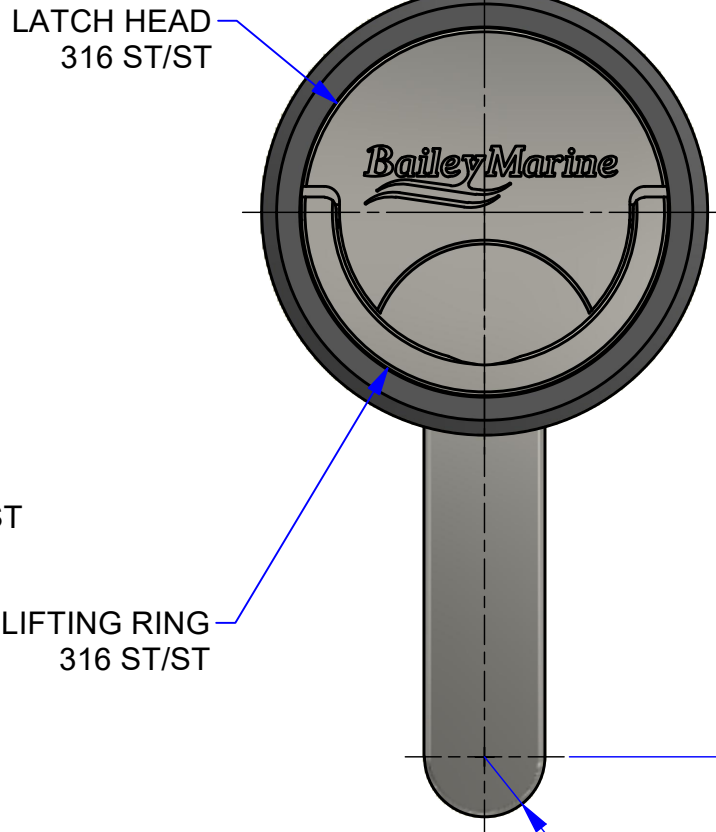
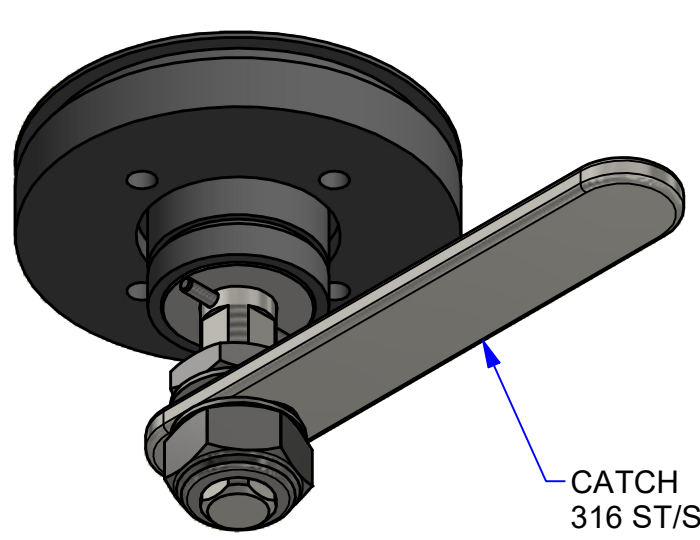


IF IN DOUBT ASK DO NOT SCALE PRINT



THIS DRAWING IS CONFIDENTIAL AND IS THE PROPERTY OF BAILEY MARINE AND MUST NOT BE REPRODUCED EITHER WHOLLY OR PARTLY. ALL RIGHTS IN RESPECT OF PATENTS, DESIGN AND COPYRIGHTS ARE RESERVED. © 2020

SECTION A-A

DRN PMS	MATERIAL SEE DRAWING	FINISH CLEAN	TITLE BMLL121F SURFACE MOUNTED LATCH SALES DRAWING	REMOVE ALL BURRS AND SHARP EDGES	A3
CHKD	THIRD ANGLE PROJECTION	TOLERANCES UNLESS OTHERWISE STATED: 0 ± 0.25 0.0 ± 0.1 0.00 ± 0.05 ANGLE ± 1°	SURFACE TEXTURE	PROJECT NUMBER BMLL121	COMPONENT GROUP LATCH
SCALE 1:1		UNLESS STATED DIMENSIONS IN: mm		DRAWING NUMBER BMLL121F_Sales	SHT 1 of 1
1 ISSUE No	20.07.2020 DATE	ORIGINAL C.R. No.	JEB CERT		