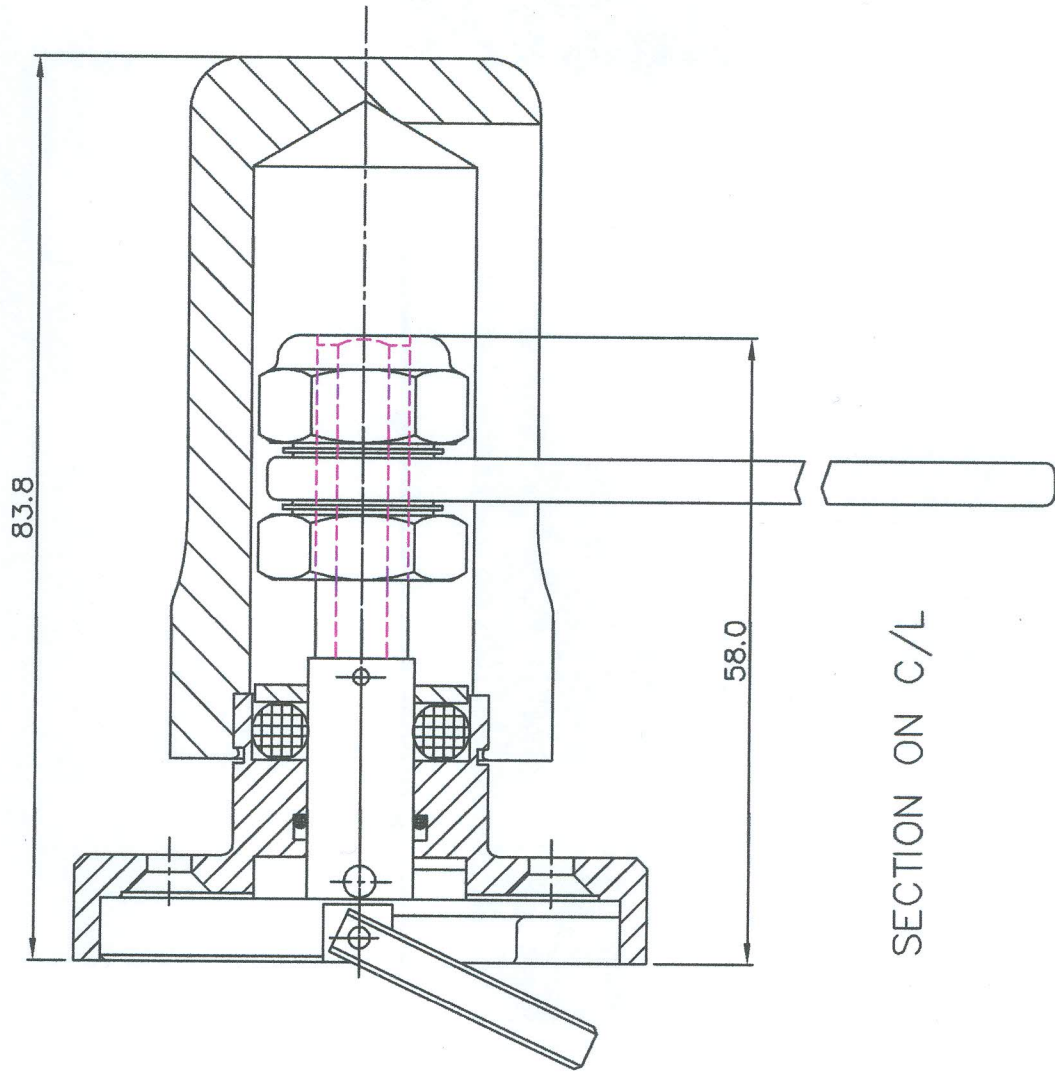


DO NOT SCALE

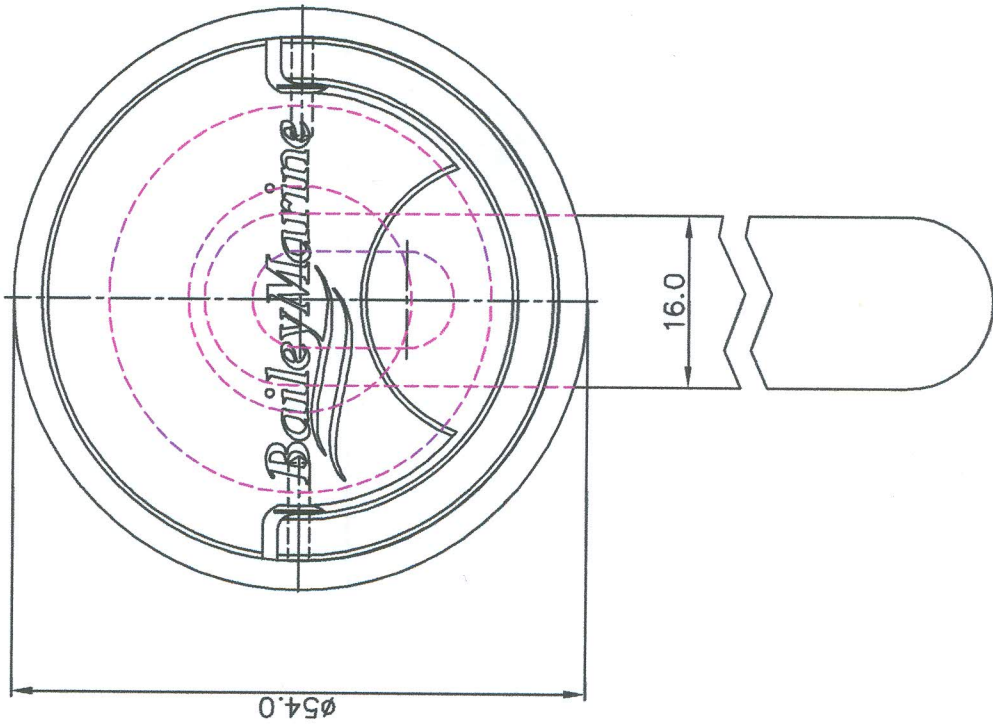
THIRD ANGLE PROJECTION

BaileyMarine

TOLERANCES ±.1 EXCEPT AS SHOWN



SECTION ON C/L



No.	DESCRIPTION	CHK'D	APP'D	DATE
00	FIRST ISSUE	TCL	JB	29.09.13

REVISIONS

TITLE: LATCH ASSY

DESIGNED BY J. E. BAILEY

DRAWN	TRACED	CHECKED	APPROVED	DATE	SCALE
TCL				29.09.13	N.T.S.

THIS DRAWING IS CONFIDENTIAL AND IS THE PROPERTY OF BAILEY MARINE AND MUST NOT BE REPRODUCED EITHER WHOLLY OR PARTLY. ALL RIGHTS IN RESPECT OF PATENTS, DESIGN AND COPYRIGHTS ARE RESERVED.

Copyright (c) 2001 Bailey Marine

DRAWING No. BMLL121SSWC