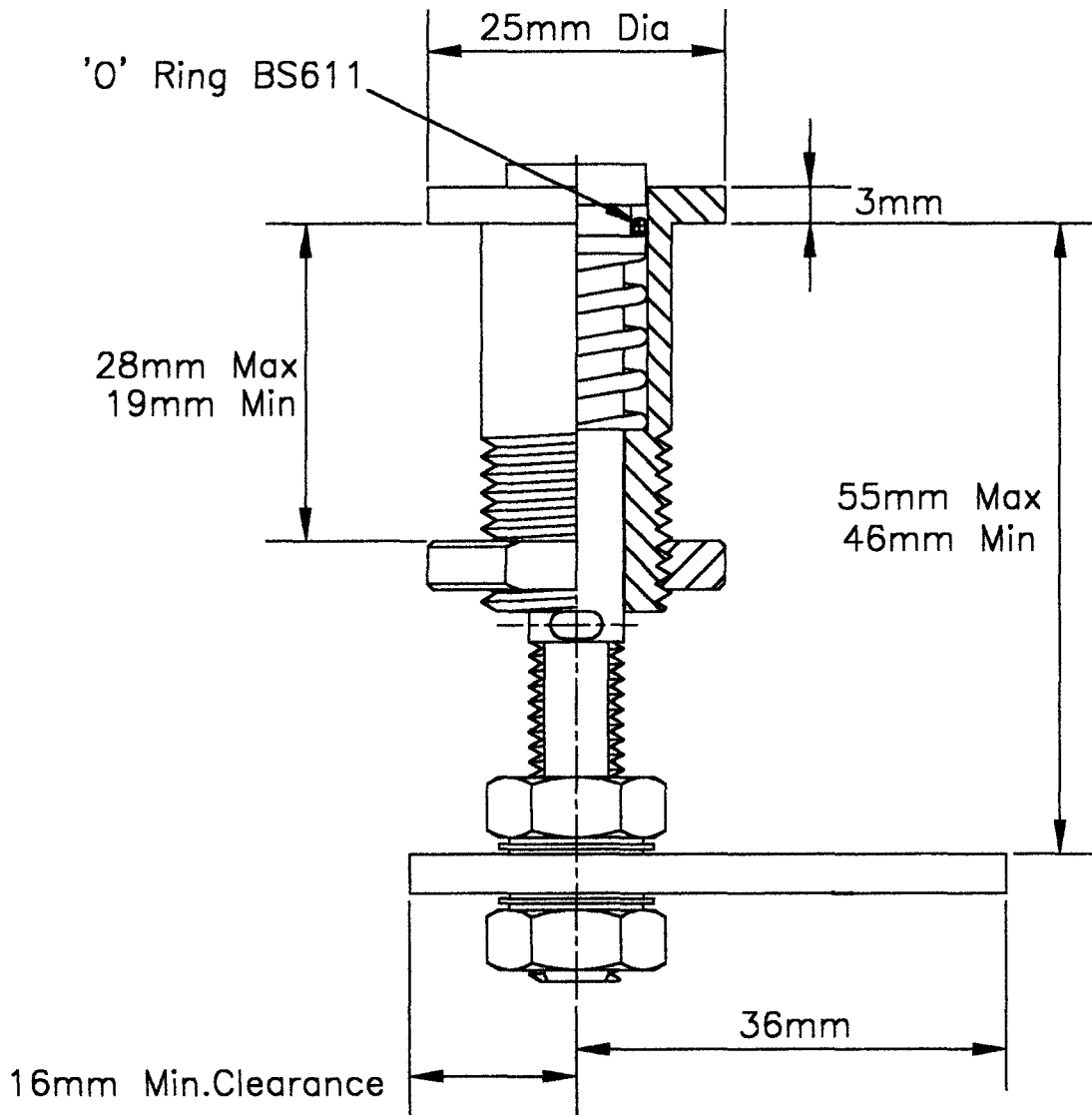


Bailey Marine

LATCH ASSEMBLY

BML26 FM

S316 STAINLESS STEEL CONSTRUCTION



Adjust nuts so that head of screw is slightly underflush when latch is closed

4Kg Holding Force

