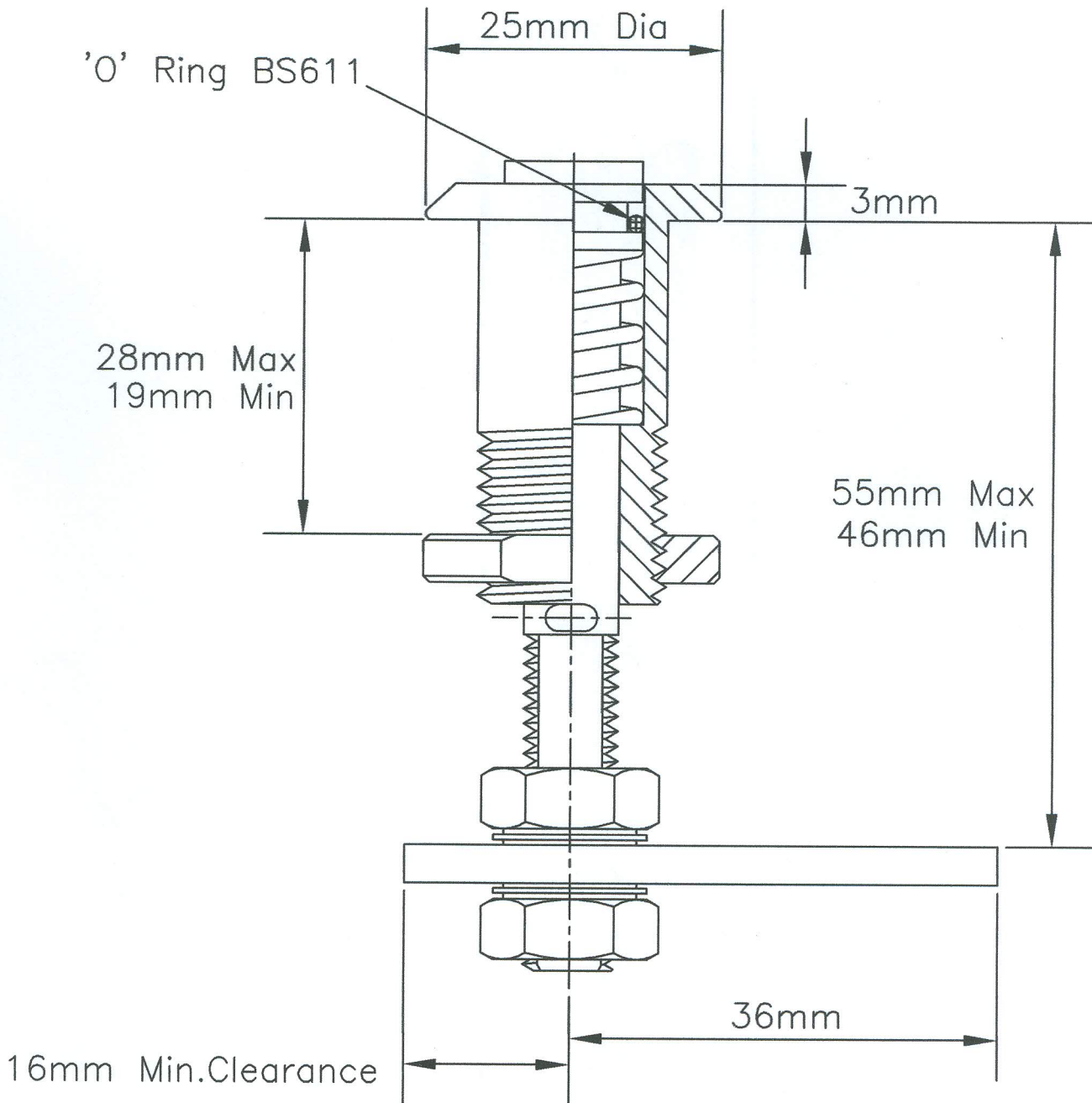


LATCH ASSEMBLY

BML26SM

S316 STAINLESS STEEL CONSTRUCTION



Adjust nuts so that head of screw is slightly underflush when latch is closed

4Kg Holding Force

