

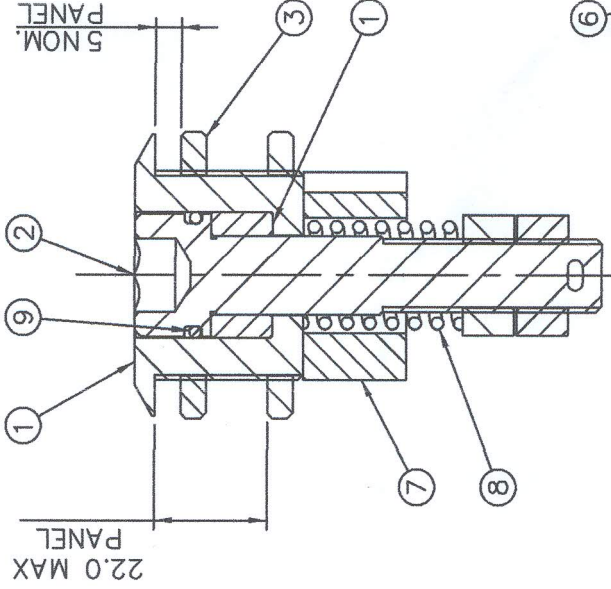
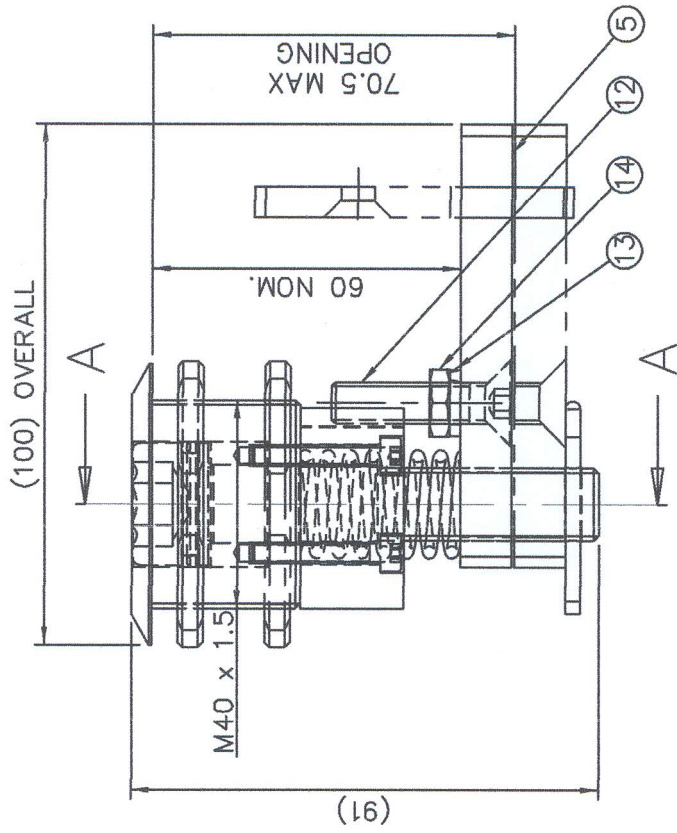
DO NOT SCALE

THIRD ANGLE PROJECTION

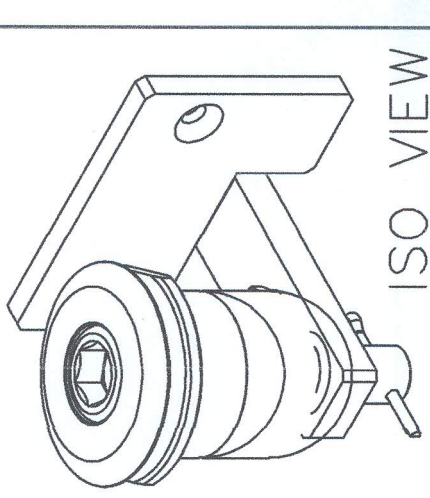
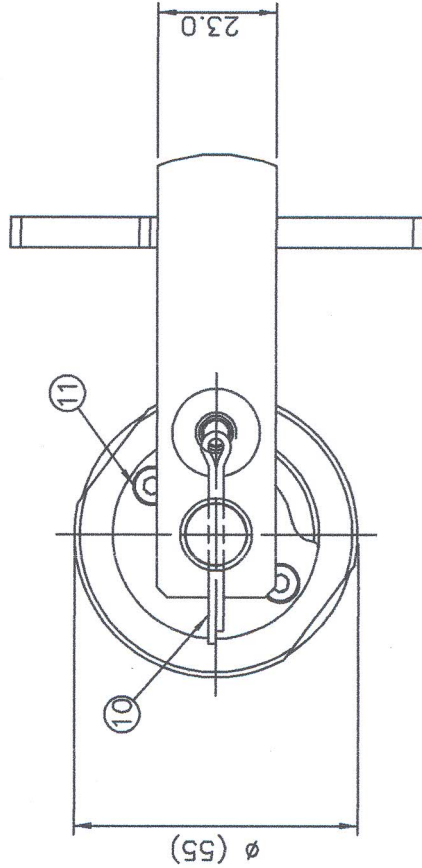


TOLERANCES ±

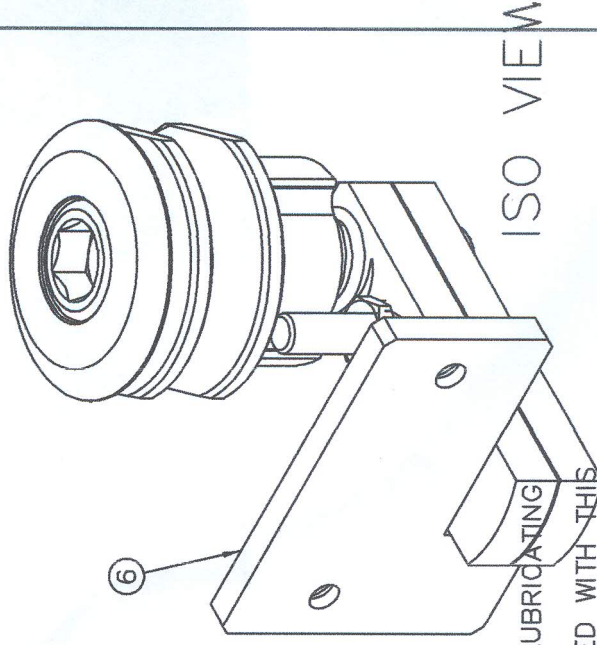
0.1 EXCEPT AS ST



SECTION A-A
1:1



ISO VIEW



ISO VIEW

- NOTES:
1. SMEAR SEAL WITH SUITABLE LUBRICATING GREASE BEFORE ASSEMBLY.
 2. KEY, ITEM 015 TO BE SUPPLIED WITH THIS ASSEMBLY.
 3. APPLY ANTI-SEIZE COMPOUND TO STOP SCREW THREADS.

UNIT WEIGHT - 1.0 kg

DESIGNED BY J. E. BAILEY

CLAMP

THIS DRAWING IS CONFIDENTIAL AND IS THE PROPERTY OF BAILEY MARINE AND MUST NOT BE REPRODUCED EITHER WHOLLY OR PARTLY. ALL RIGHTS IN RESPECT OF PATENTS, DESIGN AND COPYRIGHTS ARE RESERVED.

DRAWN TCL	TRACED -	CHECKED TCL	APPROVED JB	DATE * 04.15	SCALE 1:1
--------------	-------------	----------------	----------------	-----------------	--------------

REVISIONS

01	STOP BOLT ENLARGED, HOLE IN BODY INCREASED	JB	12.15
00	FIRST ISSUE	TCL	04.15
No.	DESCRIPTION	CHK'D	APP'D

Copyright (c) 2005 Bailey Marine

DRAWING No. * BMLC123