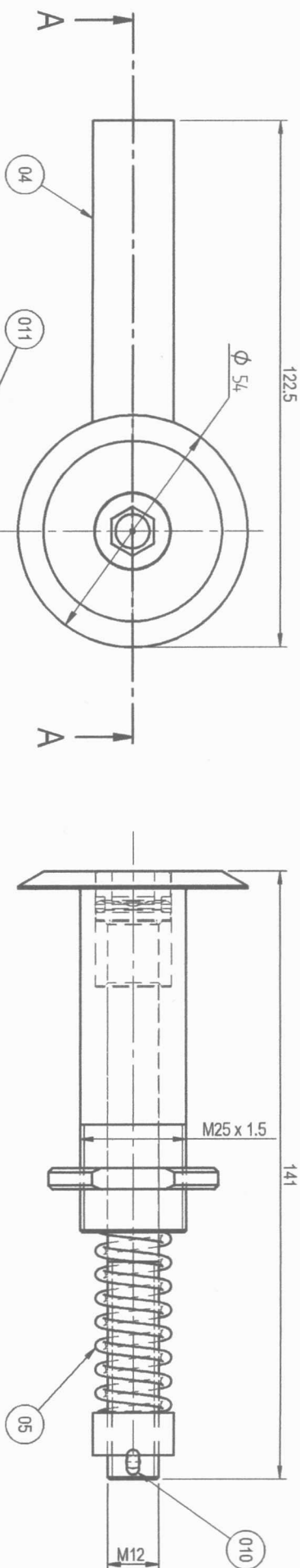


DO NOT SCALE

THIRD ANGLE PROJECTION

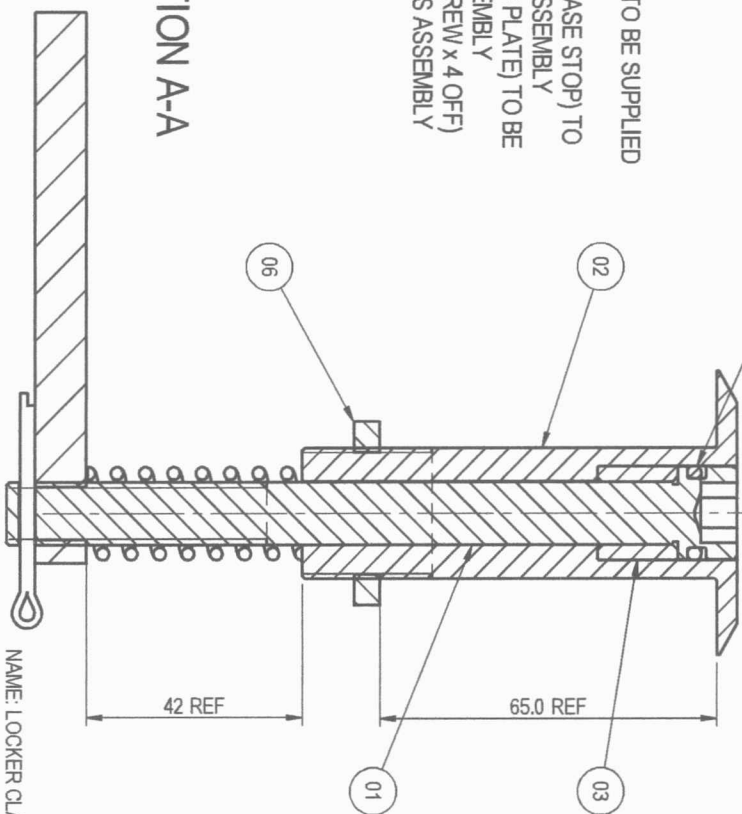
Bailey Marine

TOLERANCES ± 0.1 EXCEPT AS SHOWN

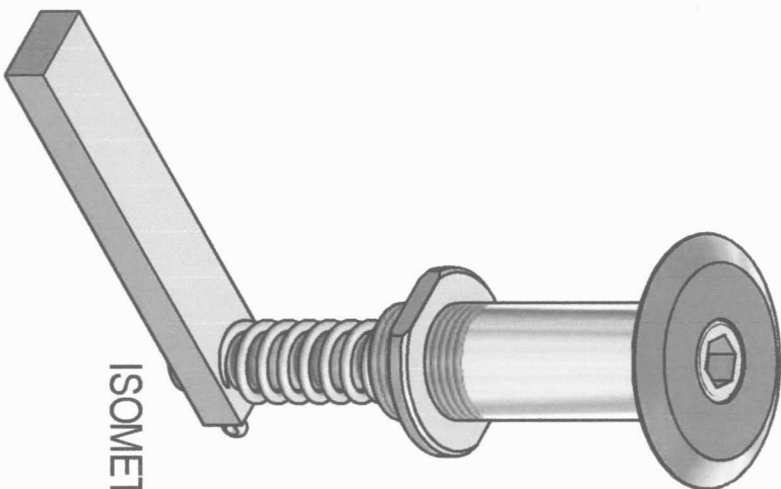


- NOTES:
1. ITEM 07 (BMLC106 KEY) TO BE SUPPLIED WITH THIS ASSEMBLY
 2. ITEM 08 (BMLC70A RELEASE STOP) TO BE SUPPLIED WITH THIS ASSEMBLY
 3. ITEM 09 (BMLC70B STOP PLATE) TO BE SUPPLIED WITH THIS ASSEMBLY
 4. ITEM 012 (PAN HEAD SCREW x 4 OFF) TO BE SUPPLIED WITH THIS ASSEMBLY

SECTION A-A



NAME: LOCKER CLAMP ASSEMBLY
 MATERIAL:
 BREAK SHARP EDGES



ISOMETRIC VIEW

DESIGNED BY J. E. BAILEY

- 0.7 kg

THIS DRAWING IS CONFIDENTIAL AND IS THE PROPERTY OF BAILEY MARINE AND MUST NOT BE REPRODUCED EITHER WHOLLY OR PARTLY. ALL RIGHTS IN RESPECT OF PATENTS, DESIGN AND COPYRIGHTS ARE RESERVED.

Copyright (c) 2005 Bailey Marine

ISSUED FOR MANUFACTURE			
No	DESCRIPTION	CHK'D	APP'D
00		TCL	JB
			07.12
REVISIONS			

DRAWN	TRACED	CHECKED	APPROVED	DATE	SCALE
TCL	-	TCL	JB	* 07.12	1:1
DRAWING NO. * BMLC74					